

Customer Care

AFTER-SALES SERVICE:

Exact Quality Sdn. Bhd.

Hotline: **03-6286-9000**

Email: **eqservice@fiamma.com.my**

OPERATION HOURS

08:30am - 06:00pm

(Monday - Friday, except public holiday)

Our Warranty

6 yrs
Warranty

FOR HOOD MOTOR ONLY

18 mths
Warranty

FOR ALL PARTS
(EXCLUDING ACCESSORIES)

1 yr
Warranty
Extension

**1-year
Warranty
Extensions
When Register
Online!**

Online Registration

1. Log on to www.rubine.com.my
2. Click on 'Support', followed by 'Products Warranty Registration' to proceed. You're required to sign up as a member.
3. Please fill up the necessary information, tick on the checkbox and click 'Next'.
4. You'll receive a notification of warranty registration confirmation via email.
5. Your warranty will be automatically extended for another 1 year upon registration online. Please keep your online warranty certificate for reference.

rubine.com.my



FIAMMA TRADING SDN BHD 330476-P (A member of Fiamma Holdings Berhad)
Menara Chin Hin, Level 20, 8th & Stellar, No. 1, Jalan Naga Emas, Sri Petaling, 57000, Kuala Lumpur.



Rubine™

I T A L I A

REDEFINE THE WAY OF LIFE



USER MANUAL

MODEL

RCH-NEORA X-SK

SERIAL NO.

COOKER HOOD

Dear valued customer,

Thanks for your purchase of our product.

PLEASE READ & KEEP THIS USER MANUAL

CONTENTS

SPECIFICATIONS 1

PRODUCT DIMENSION 1

PRODUCT PART DIAGRAM 2

INSTALLATION REQUIREMENT 3

INSTALLATION PROCEDURES 4-6

OPERATING INSTRUCTIONS 6-8

MAINTENANCE 9

TO REPLACE LED LAMP 9

IMPORTANT SAFETY INSTRUCTIONS 10-11

TROUBLESHOOTINGS 12

WARRANTY CARD 13



Please note that this product is marked with this symbol:
 According to Waste of Electrical and Electronic Equipment (WEEE) directive, WEEE should separately collect and treat. If in future you need to dispose this product, PLEASE DO NOT disposes it with household waste. Please send it to WEEE collection point.

WARRANTY CARD

WARRANTY CONDITIONS

Subject to following Term & Conditions, this equipment is guaranteed against defective material & manufacturing defects by Fiamma Trading Sdn Bhd for a period of twelve (12) months from the date of original purchase. Fiamma Trading Sdn Bhd reserves the right to change these terms & conditions without prior notice.

Terms & Conditions:-

- 1) This warranty is valid & provided that warranty card is completed with authorized dealer's stamp from the date of original purchase and in the territory of Malaysia only.
- 2) This warranty covers repair or, at the option of Fiamma Trading Sdn Bhd, replacement of any parts proven to be defective due to defective workmanship or material provided that the product was purchased from an authorized dealer of Fiamma Trading Sdn Bhd.
- 3) This warranty does not cover the damage resulting from:
 - (a) Any unauthorized disassembly, service repair, alteration or modification being carried out.
 - (b) Abnormal voltage or the use of generator and/or used not in accordance with the Operating Manual / User Manual.
 - (c) Misuse, abuse, negligence or accident howsoever caused.
 - (d) Normal wear or tear.
 - (e) Rough handling & transportation.
 - (f) Commercial / public use e.g. hotel, laundry, college, university, etc.
- 4) This warranty does not cover the following accessories:
 - (a) Burner Caps/Supports (b) Cast Iron Grib (c) Knobs (d) Body Work (e) Light Bulb (f) Charcoal / Filter (g) Cover (h) Glass Cover / Screen (i) Trays/Shelves (j) Hose
- 5) This warranty is considered null & void in the events if:
 - (a) Any item contained in this warranty card has been tempered with or altered in any way without the prior written consent of Fiamma Trading Sdn Bhd. Request for warranty services within the warranty period must be accompanied with this warranty card & proof of original purchase.
 - (b) Any time during the warranty period, any part / parts of this equipment is / are removed, altered, tempered with, adjusted, modified, dismantled, repaired or handled in any way whatsoever by any person / persons not authorized by us.
 - (c) The serial number of the product has been defaced or removed.
- 6) Warranty for WINE CHILLER compressor is (5) five years, gas refill and labor charges are excluded.
- 7) In the event of defects covered by this warranty arising during the warranty period, the purchaser shall be fully responsible for the due delivery to our dedicated service centre of the equipment (expect for the refrigerator, washing machine, ovens, cooker hood, gas cooker, dishwasher, dryer, built-in hob, freezer, water heater) for any work which shall need to be done pursuant to this warranty & subsequent collection thereof of the equipment after the said work has been done.
- 8) This warranty is in lieu of any, and all other warranties expressed or implied warranty of merchantability or fitness for a particular purpose. Fiamma Trading Sdn Bhd assumes no liability for the breach of the warranty beyond correcting the breath in the manner described above. In no event shall Fiamma Trading Sdn Bhd be liable for consequential losses or damages, including loss of use or loss of profits resulting from the product.

FOR OFFICE USE

Model Name

Serial No
Barcode :

Customer's Name (In Block/Full Name)

Date of Purchase : [] DAY [] MTH [] YR

Customer's Address (Full Address) :

PostCode : [] State :

Customer's Tel No : (H) [] - [] (O) [] - []

Customer's Email : (H/P) [] - []

 Authorised dealer's stamp
 Fiamma Trading Sdn. Bhd.

 Customer Signature

TROUBLESHOOTINGS

CAUTION: Disconnect the power supply before servicing.

STATUS	CAUSE & METHOD OF REPAIRING	TOOL
Damaged of power supply	If the power supply is damaged, please call technician to repair.	"+" type screwdriver sharp pincers
The lamp works but the motor does not run	a) Take off the filter and check the connection between air inlet and wind chamber whether it is sealed or not. b) Check the connection between air exhaust pipe and wind chamber whether there is leakage of oil or not. If YES, please fill it up with the varnish or thinner. c) If the motor stops running and has a bad odor after a moment of operation, the motor wires may be burnout. Please replace motor d) If the starting wire (yellow) is disengaged from the condenser, it needs to be rewired e) If the condenser is damaged, please replace with a new one.	"+" type screwdriver
Machine vibration	a) If the motor were not firmly screwed, tighten the screw up. b) If the vane is damaged or unbalanced, replace with a new one.	"+" type screwdriver
Weak suction	a) The distance is too far between the cooker hood and hob. b) There are many windows (doors) causes strong wind convection. c) If due to the position of cooker hood install upon the window, you may put a three-ply board on the back of the cooker hood to cover the spaces.	"+" type screwdriver "+"
Tilting hood	a) Adjust the height of the model where it is hung on the ceiling. b) If the model tilt forward, lock the wall with wood screw again (the screw peep out around 0.5~1 cm from the wall), or check the screw that fixing the model are loose or not.	"+" type screwdriver
Lamp does not light-up	Take the screw off from the lamp shade and replace with a new light bulb, then fix the lamp shade back.	"+" type screwdriver

SPECIFICATIONS

Model Name: RCH-NEORA X-SK

Motor Power: 188W

Max. Power Input: 192W

Cruising Turbo Power: 220W

Thermal Power: 50W

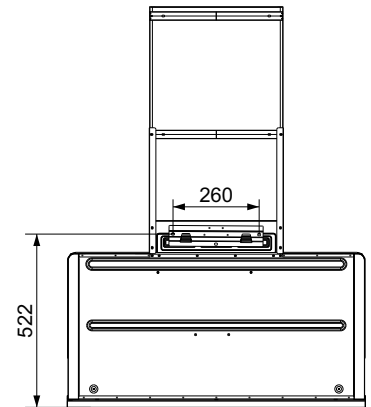
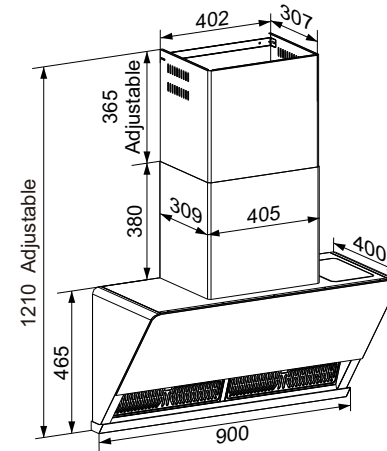
Lighting Power: 2×2W

Voltage: 220-240V

Frequency: 50Hz

Control Panel: Sensor Touch Control

PRODUCT DIMENSION

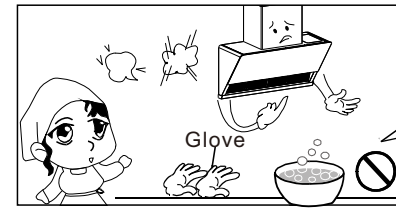
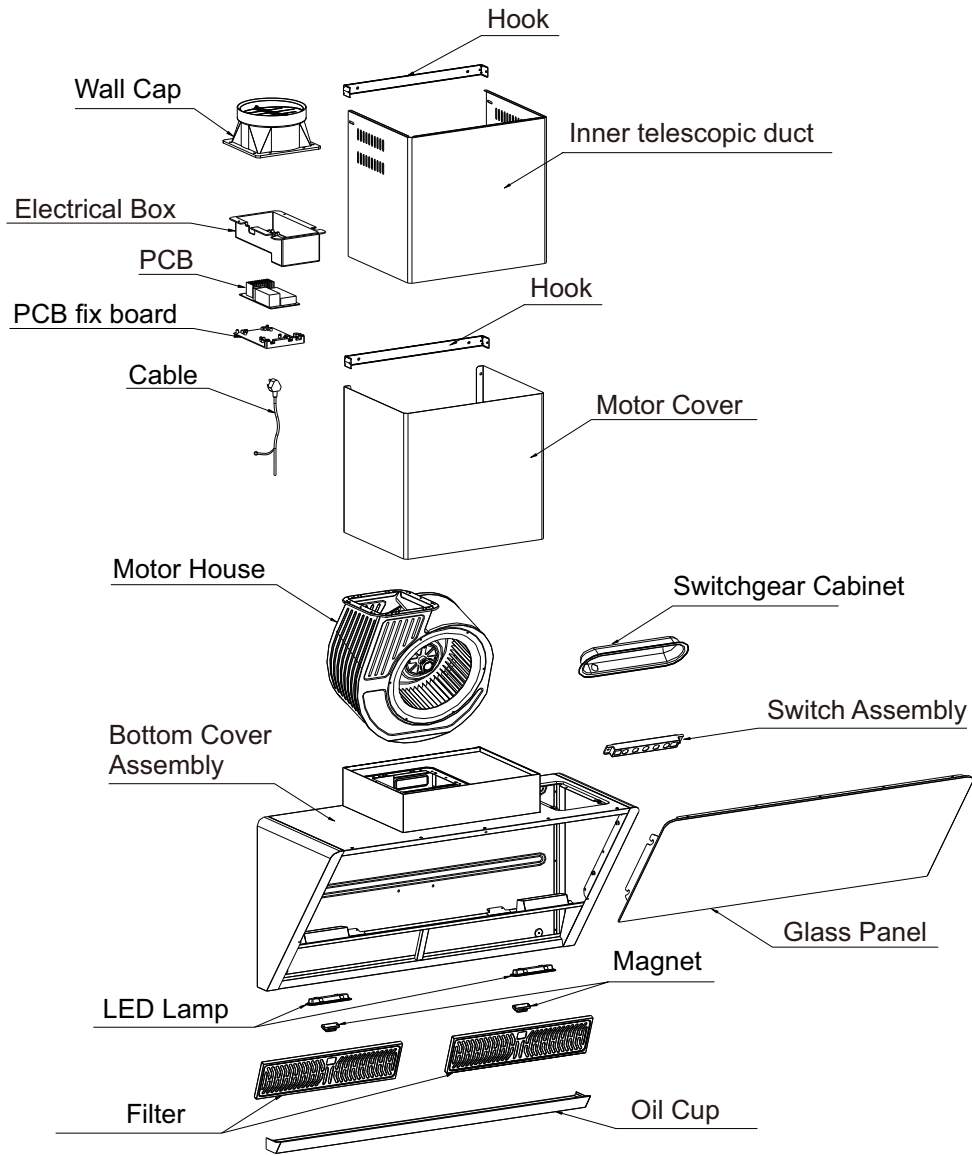


Unit: mm

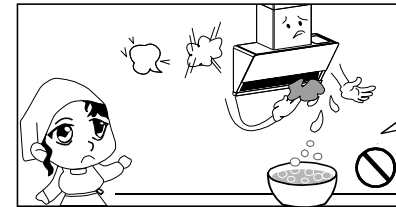
Schematic diagram of the lighting lamp structure

Lamp image	Lamp information	
	Lamp Type	LED lamp strains
	Max Power	≤2W
	Voltage	12V DC
	Size	120.5×33.5mm

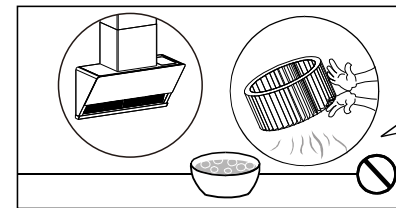
PRODUCT PARTS DIAGRAM



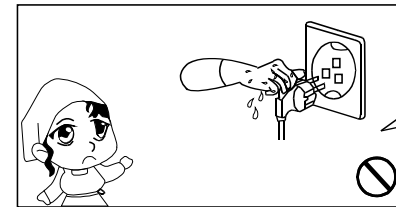
Dress the protective glove before you start to clean the hood. Remove the components gently during carrying out the clearance.



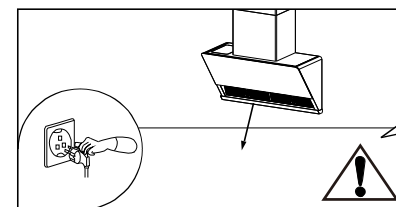
Never wash the control switch with water or other kind of liquid for the liquid might cause electrical problem to the hood.



To clean the motor fan should be undertaken by a qualified person, pay top attention to avoid any distortion of the fan during carrying out the clearance.

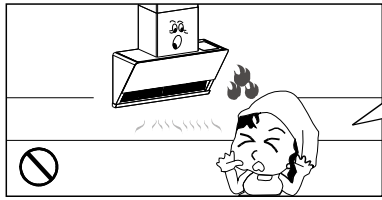


Never pull the plug out of the power supply by wet hand to avoid the possibility of electric shock.

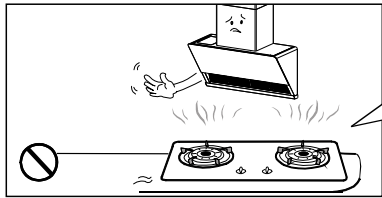


Disconnect the cooker hood from the power supply if this appliance will not be used for a long time.

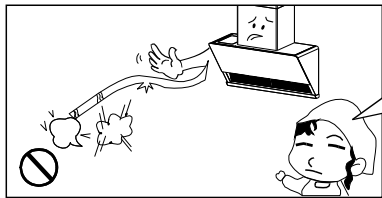
IMPORTANT SAFETY INSTRUCTIONS:



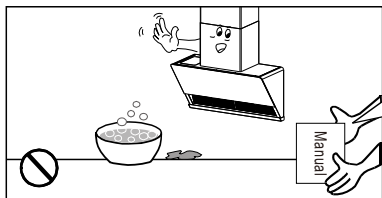
Do not connect the air outlet to chimney flues or combustion gas ducts.



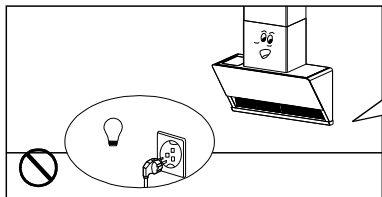
Do not leave naked flames under this hood.



In case of any damage to power cable, replace the broken cable with a new one by qualified person.



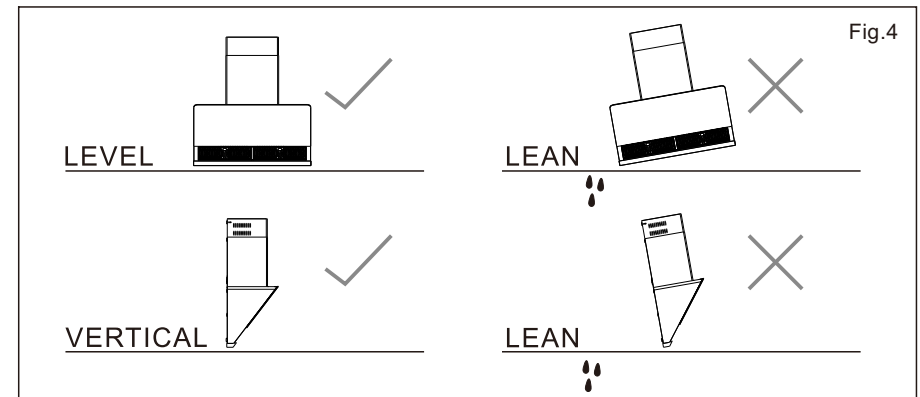
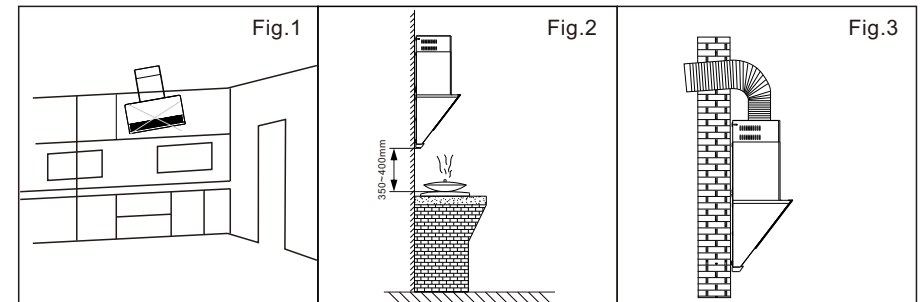
Do clean the hood correctly in accordance with instruction stated or it might cause the possibility of fire accident.



To replace the bulb should be undertaken by a qualified electrician or a competent person. Always use the bulb no more than rating.

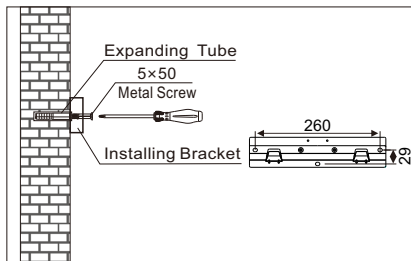
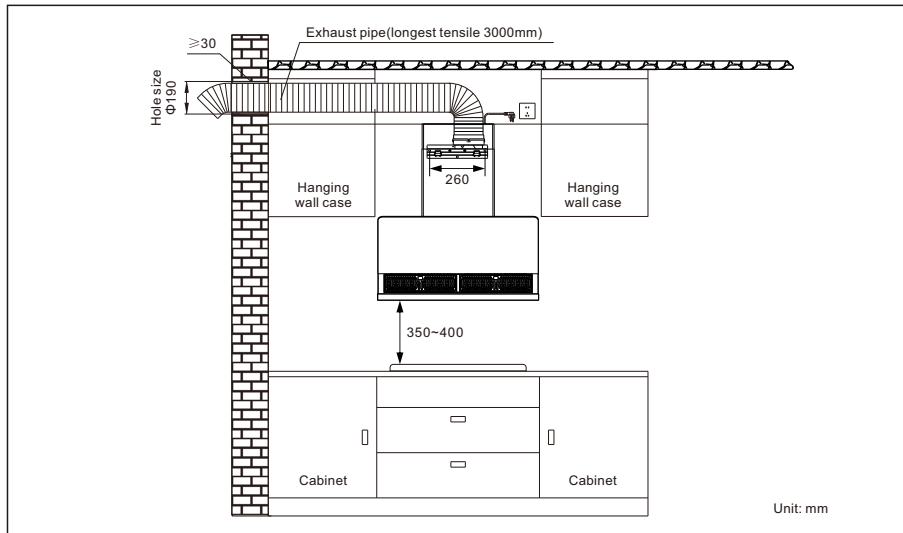
INSTALLATION REQUIREMENT

1. Do not install the cooker hood where there are many doors or windows in order to avoid affecting the exhaust efficiency of the hood caused by air convection. (refer Fig. 1)
2. Install the cooker hood right above the hob. The recommended distance between the hob and the lower edge of the cooker hood is minimum 280 mm and maximum 350mm. (Fig. 2)
3. In order to get the optimum performance, do not elongate the exhaust pipe too long, avoid over-bending of exhaust. Ensure the connection is airtight. (Fig. 3)
4. After hanging the unit on the wall, ensure the hood' level is vertically straight. (Fig. 4)
5. The air outlet must not be connected to chimney flues or combustion gas ducts. The air outlet must be under no circumstances, be connected to ventilation ducts in which fuel-burning appliances are installed.

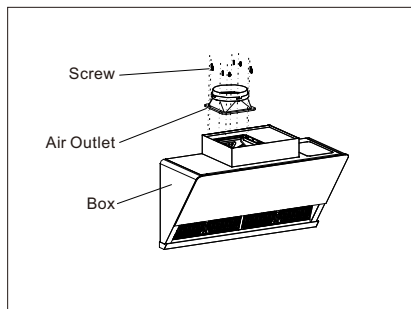


INSTALLATION PROCEDURES

please carefully read the following diagram before installation, and install in accordance with the steps to ensure the smooth installation of the product.



According to the dimension of installing bracket, on the walls in the corresponding position to accurately determine the position of an installing hole, use a $\Phi 10$ impact drilling out the mounting holes, and firmly buried expanding tube, then use the M5x50 wood screws fastening the installing bracket to the wall.



Remove the pan head screw with the air outlet cross slot at the top of the box, and then fix the hole position of the outlet component, and fasten the outlet component on the box with the removed screw respectively.

MAINTENANCE

CAUTION: NEVER PUT YOUR HAND INTO THE AREA WHILE THE FAN IS OPERATING. TO GAIN OPTIMAL LEVEL OF HOOD PERFORMANCE, CLEAN THE COOKER HOOD SURFACE, FAN AND OIL FILTER REGULARLY.

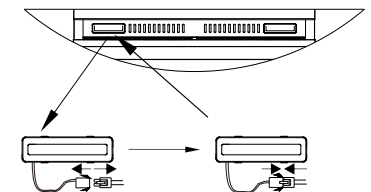
1. Use only mild soap or detergent solutions to clean the cooker hood surface.
 2. Clean the filter depending to usage or at least once a week. Press the buckle of the filter slightly, take off the filter and put it into warm soapy water using mild detergent, lightly brush the filter with soft brush. Place the filter back after it is dry.
 3. Clean the fan motor and others internal parts twice a year or depending to usage by QUALIFIED PERSONNEL.
 4. DO NOT clean the motor with water or other liquid.
 5. This appliance is not intended for use by persons (including children) with reduced physical, sensory or mental capabilities, or lack of experience and knowledge, unless they have been given supervision or instruction concerning use of the appliance by a person responsible for their safety.
 6. Children should be supervised to ensure that they do not play with the appliance.
 7. There shall be adequate ventilation of the room when the cooker hood is used at the same time as appliances burning gas or other fuels.
- CAUTION: Accessible parts may become hot when used with cooking appliances.**
8. The air must not be discharged into a flue that is used for exhausting fumes from appliances burning gas or other fuels.
 9. Regulations concerning the discharge of air have to be fulfilled.
 10. The cooker hood is only intended to be installed over a hob with no more than four hob elements.

TO REPLACE LED LAMP

CAUTION: The lamp may be hot! Wait until unit is cool. If the lamps malfunction, please replace it with a new lamp. Make sure all the control is switches off and the cooker hood is unplugged!

Please follow below instructions:

1. Switch the unit off and unplug the appliance.
2. Gently pry out the light fixture with a flathead screwdriver or a small knife, then pull out the connector. The light fixture can be removed.
(Note: Do not use excessive force when disassembling the light fixture to prevent breakage.)
3. Replace with the same type and rated bulb/lamp.



- (3) The default gesture is enabled at the factory. If you need to disable the gesture function, you can press the light button for 3 seconds in the powered-on state. The buzzer will emit a "DING DONG" sound. The light button indicator light will flash for 3 seconds and then go off, and the digital area gesture icon turns off, indicating that the gesture function is turned off.

(4) If you need to re-enable the gesture function, a) you can press and hold the light button for 3 seconds while the device is powered on. The buzzer will emit a "DING DONG" sound as a prompt, and The light button indicator flashes for 10 seconds before turning off, and the digital area gesture icon lights up, indicating that the gesture function is enabled; b) turn off the power and then turn it back on to activate it.



(1) When the power is on, press and hold the power button for 3 seconds. The indicator light of the smoke stove linkage button will flash for 15 seconds, indicating that the set-up pairing state has been entered. During this time, turn on the stove, and the smoke extractor receives the signal. At the same time, the buzzer emits a "DING DONG" sound, indicating that the pairing is complete. After successful pairing, the indicator light of the smoke stove linkage button turns to a constant on state; if the smoke extractor does not receive the signal, the indicator light of the smoke stove linkage button flashes for 15 seconds before going off, and the buzzer emits two "DING DONG" sounds, indicating that the pairing failed.

(2) After successful pairing, you can turn on the smoke extractor by using the stove. The indicator lights of the smoke stove linkage button, the power button, and the corresponding speed key will be on; after the stove is turned off, the indicator light of the power button will flash; the smoke extractor enters a 3-minute delay shutdown state, and after the delay ends, it enters the power-on state.

(3) In the smoke stove linkage connection state, you can clear the code by pressing and holding the power button for 5 seconds when shutting down.

(4) When the linkage function is enabled: when shutting down, the linkage icon goes off; when starting up, the linkage icon lights up.

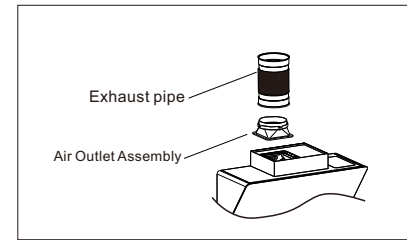
(5) When the linkage function is disabled: when shutting down, the linkage icon goes off; when starting up, the linkage icon goes off.

(6) When the stove is started and ignited, the smoke extractor starts and executes high-speed operation.

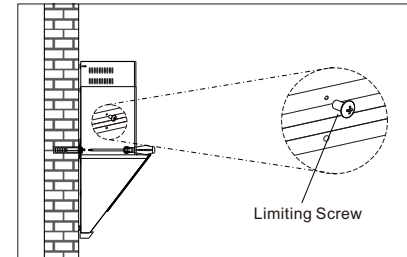
(7) When the stove is shut down and there is no action from the smoke extractor, it enters a delay shutdown state; if the smoke extractor does not receive the shutdown command after the stove is shut down, it enters the delay shutdown state 35 seconds after the linkage signal is disconnected.

(8) When the smoke extractor is in the delay shutdown state, when the stove is started and ignited, the smoke extractor exits the delay shutdown state and automatically switches to high-speed operation.

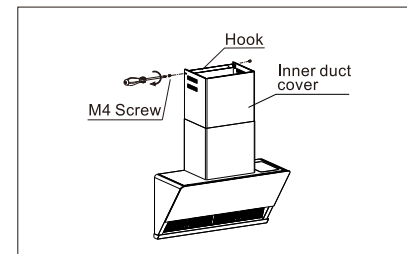
(9) When the stove is running or shut down, the smoke extractor can perform any manual operation and maintain that operation.



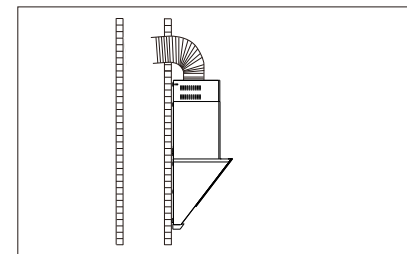
Insert the clasp on the outlet joint (with the step at one end) into its corresponding slot. Then align it with the clasp on the outlet and press it firmly down until it locks into place.



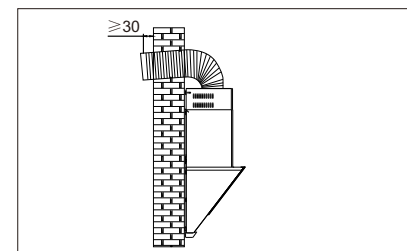
Pick the cooker hood up, the hanging hole at the back of the box assembly is aligned with the hanger on the installing bracket, and the limiting screw in the accessory bag is fixed on the hole of the installing bracket to prevent the accidental fall of the hood.



Pull the inner duct cover to a suitable height and secure the inner duct cover from the side to the installation bracket with the cross screwdriver.



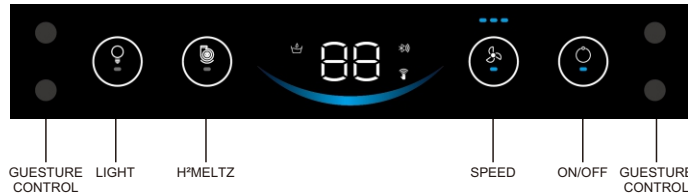
If you need connect the common flue, please do not put the exhaust pipe too deeply, so as to not affect the effect.




If you connect the exhaust pipe to outdoor, please push it out of the wall at least 30, the air outlet should be slightly adown, to avoid rain water intrusion.

Installation confirmation: after installation, check the hood whether it is solid, turn the power on and test it, examine the function whether it is normal and whether there is abnormal vibration of the body, after confirmation, can be used.


OPERATING INSTRUCTIONS

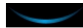



 (1) When powered on, touching this button will light up the blue indicator light below the power button and the outer rings of all buttons, entering the standby state. Touching this button again will turn off all indicator lights and return to the powered-on state.


(2) When the fan is running, touching this button will cause the blue indicator light below the power button to flash, entering a 3 minute delayed shutdown state. The fan will switch to F1 speed and automatically shut down (including lighting) after 3 minutes. During the delayed shutdown state, touching this button will turn off all indicator lights and stop the entire machine (including lighting).

(3) When powered on, the outer ring of the power button should remain at 1/16 brightness and stay lit continuously.

 (1) In standby mode, touch this key. The blue indicator light below this key will light up, and the display will show F2. The blue indicator light above this key will light up two bars. The fan will enter the F2 speed mode for operation. If you touch this key again, the display will show F1. The blue indicator light above this key will light up one bar. The fan will enter the F1 speed mode for operation.

(2) In standby or fan operation mode, long press this key for 3 seconds to enter the stir-fry mode (The display shows FF, with the blue indicator light above this key flashing three times). The stir-fry mode will run for 3 minutes or again long press this key for 3 seconds to switch to the F2 mode for operation; the speed key cycles between F2-F1-F2; FF needs to be long pressed on the speed key for 3 seconds to turn on. When the fan is turned on ( the arc-shaped lights spread out from the center to both sides in a running-lamp style).

 (1) In the standby mode, when you touch this key, the blue indicator light below this key will light up (the indicator lights of the other keys remain unchanged), and the H²meltz function is activated. If you touch this key again, the blue indicator light of this key will go out, and the H²meltz function is deactivated.


 (2) After the heating module has been working for 10 minutes, the blue indicator light below the H²meltz key will flash, two blue lights on the speed key will light up, the fan (F2 speed) will operate for 1 minute, the H²meltz function will be deactivated, and the exhaust fan will enter the power-on state (including lighting).

(3) When the H²meltz function is activated, touching the H²meltz key will deactivate the H²meltz function; touching the light key will turn on/off the lighting lamp; touching the power key will turn off all indicator lights and enter the power-on state with all functions deactivated.

(4) The gesture function is invalid when the H²meltz function is activated. Note: When the H²meltz is activated, the display will show the heating time (10~9~8~7...), and when the fan is running, it will show F2.

(5) Oil cup reminder function: a) When the fan operates at any speed for a cumulative total of 15 hours, each time the user turns on the fan, the oil cup reminder icon will flash, reminding the user to perform a hot cleaning of the oil cup. The icon will automatically turn off after 1 minute. The reminder will occur three times for each turn on of the fan; after three reminders, it is assumed that the user has completed the hot cleaning of the oil cup, and the timer will reset automatically and start counting from zero. b) After the user completes the H²meltz function, while the device is powered on, press the H²meltz button for 3 seconds. After 3 seconds, the indicator lights of the H²meltz button and the cup prompt icon will flash 3 times and then go off. The timer will automatically reset (indicating that the oil has been drained).

(6) H²meltz Reminder Function: a) When the fan has been running at any speed for a cumulative total of 60 hours, the icon of the H²meltz button will keep flashing, reminding the user to perform oil removal until the user confirms that the oil removal is completed. After that, the timer will be reset automatically and restarted from zero. b) After the user has completed the oil removal, in the standby mode, long-press the H²meltz button for 3 seconds. After 3 flashes of the button, the timer will automatically reset (indicating that the oil removal has been completed).

 In any state, when you touch this key, the blue indicator light below and the outer ring of the key will light up, and the lighting lamp will turn on; if you touch this key again, the blue indicator light and the outer ring of the key will go out, and the lighting lamp will turn off.

● (1) When the device is powered on or in standby mode, if you wave two gesture modules from left to right, the blue indicator lights below the power button, light button and speed button will light up, the lighting light will turn on, and the display will show F2. The blue indicator light above the speed button will light up for two bars. The fan will enter the F2 speed mode operation. Wave again, the display will show FF. The blue indicator light above the speed button will light up for three bars, The fan will enter cooking mode. F2-FF-F2 will cycle repeatedly.

(2) When the fan is running, if you wave two gesture modules from right to left, the exhaust fan will operate in the F1 mode and enter the delayed shutdown state. Wave again to enter the powered-on state. In the state where the standby or lighting is turned on separately, if you wave two gesture modules from right to left, the exhaust fan will enter the powered-on state (the lighting light is turned off).