

Customer Care

AFTER-SALES SERVICE:

Exact Quality Sdn. Bhd.

Hotline: **03-6286-9000**

Email: **eqservice@fiamma.com.my**

OPERATION HOURS

08:30am - 06:00pm

(Monday - Friday, except public holiday)

Our Warranty

6 yrs
Warranty

FOR HOOD MOTOR ONLY

18 mths
Warranty

FOR ALL PARTS
(EXCLUDING ACCESSORIES)

1 yr
Warranty
Extension

**1-year
Warranty
Extensions
When Register
Online!**

Online Registration

1. Log on to www.rubine.com.my
2. Click on 'Support', followed by 'Products Warranty Registration' to proceed. You're required to sign up as a member.
3. Please fill up the necessary information, tick on the checkbox and click 'Next'.
4. You'll receive a notification of warranty registration confirmation via email.
5. Your warranty will be automatically extended for another 1 year upon registration online. Please keep your online warranty certificate for reference.

rubine.com.my



FIAMMA TRADING SDN BHD 330476-P (A member of Fiamma Holdings Berhad)
Menara Chin Hin, Level 20, 8th & Stellar, No. 1, Jalan Naga Emas, Sri Petaling, 57000, Kuala Lumpur.



Rubine™

I T A L I A

REDEFINE THE WAY OF LIFE



USER MANUAL

MODEL

RCH-TRENZ-FP

SERIAL NO.

COOKER HOOD

Dear valued customer,

Thanks for your purchase of our product.

PLEASE READ & KEEP THIS USER MANUAL

CONTENTS

SPECIFICATIONS	1
PRODUCT DIMENSION	1
PRODUCT PART DIAGRAM	2
INSTALLATION REQUIREMENT	3
INSTALLATION PROCEDURES	4-6
OPERATING INSTRUCTIONS	7-9
MAINTENANCE	10
TO REPLACE LED LAMP	10
IMPORTANT SAFETY INSTRUCTIONS	11-12
TROUBLESHOOTINGS	13
WARRANTY CARD	14



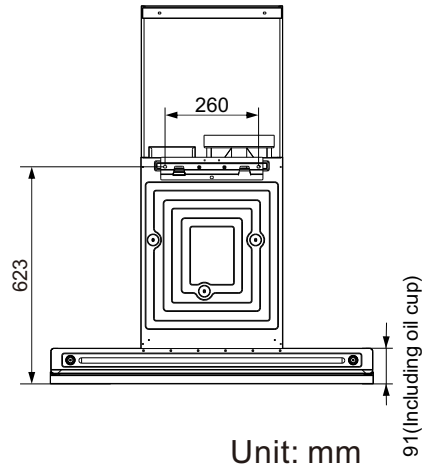
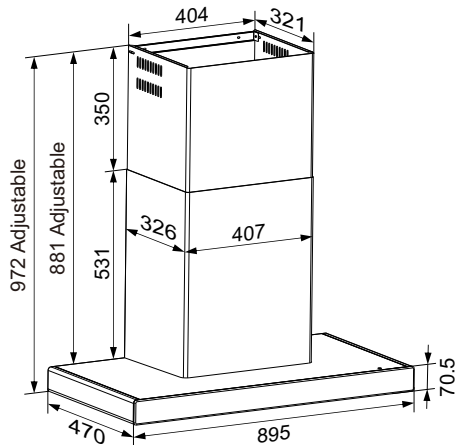
Please note that this product is marked with this symbol:

According to Waste of Electrical and Electronic Equipment (WEEE) directive, WEEE should separately collect and treat. If in future you need to dispose this product, PLEASE DO NOT dispose it with household waste. Please send it to WEEE collection point.

SPECIFICATIONS

Model Name: RCH-TRENZ-FP
 Motor Power: 188W
 Max. Power Input: 193W
 Boost Power: 330W
 Thermal Power: 50W
 Lighting Power: 1×5W
 Voltage: 220-240V
 Frequency: 50Hz
 Control Panel: Sensor Touch Control

PRODUCT DIMENSION



Unit: mm

Schematic diagram of the lighting lamp structure

Lamp image	Lamp information	
	Lamp Type	LED lamp strains
	Max Power	≤5W
	Voltage	12V DC
	Size	760×40mm

WARRANTY CARD

WARRANTY CONDITIONS

Subject to following Term & Conditions, this equipment is guaranteed against defective material & manufacturing defects by Fiamma Trading Sdn Bhd for a period of twelve (12) months from the date of original purchase. Fiamma Trading Sdn Bhd reserves the right to change these terms & conditions without prior notice.

Terms & Conditions:-

- This warranty is valid & provided that warranty card is completed with authorized dealer's stamp from the date of original purchase and in the territory of Malaysia only.
- This warranty covers repair or, at the option of Fiamma Trading Sdn Bhd, replacement of any parts proven to be defective due to defective workmanship or material provided that the product was purchased from an authorized dealer of Fiamma Trading Sdn Bhd.
- This warranty does not cover the damage resulting from:
 - Any unauthorized disassembly, service repair, alteration or modification being carried out.
 - Abnormal voltage or the use of generator and/or used not in accordance with the Operating Manual / User Manual.
 - Misuse, abuse, negligence or accident howsoever caused.
 - Normal wear or tear.
 - Rough handling & transportation.
 - Commercial / public use e.g. hotel, laundry, college, university, etc.
- This warranty does not cover the following accessories:
 - Burner Caps/Supports
 - Cast Iron Grib
 - Knobs
 - Body Work
 - Light Bulb
 - Charcoal / Filter
 - Cover
 - Glass Cover / Screen
 - Trays/Shelves
 - Hose
- This warranty is considered null & void in the events if:
 - Any item contained in this warranty card has been tempered with or altered in any way without the prior written consent of Fiamma Trading Sdn Bhd. Request for warranty services within the warranty period must be accompanied with this warranty card & proof of original purchase.
 - Any time during the warranty period, any part / parts of this equipment is / are removed, altered, tempered with, adjusted, modified, dismantled, repaired or handled in any way whatsoever by any person / persons not authorized by us.
 - The serial number of the product has been defaced or removed.
- Warranty for WINE CHILLER compressor is (5) five years, gas refill and labor charges are excluded.
- In the event of defects covered by this warranty arising during the warranty period, the purchaser shall be fully responsible for the due delivery to our dedicated service centre of the equipment (expect for the refrigerator, washing machine, ovens, cooker hood, gas cooker, dishwasher, dryer, built-in hob, freezer, water heater) for any work which shall need to be done pursuant to this warranty & subsequent collection thereof of the equipment after the said work has been done.
- This warranty is in lieu of any, and all other warranties expressed or implied warranty of merchantability or fitness for a particular purpose. Fiamma Trading Sdn Bhd assumes no liability for the breach of the warranty beyond correcting the breath in the manner described above. In no event shall Fiamma Trading Sdn Bhd be liable for consequential losses or damages, including loss of use or loss of profits resulting from the product.

FOR OFFICE USE

Model Name Serial No
 Barcode :

Customer's Name (In Block/Full Name)

Date of Purchase : DAY MTH YR

Customer's Address (Full Address) :

PostCode : State :

Customer's Tel No : (H) - (O) -

Customer's Email : (H/P)

Authorised dealer's stamp
 Fiamma Trading Sdn. Bhd.

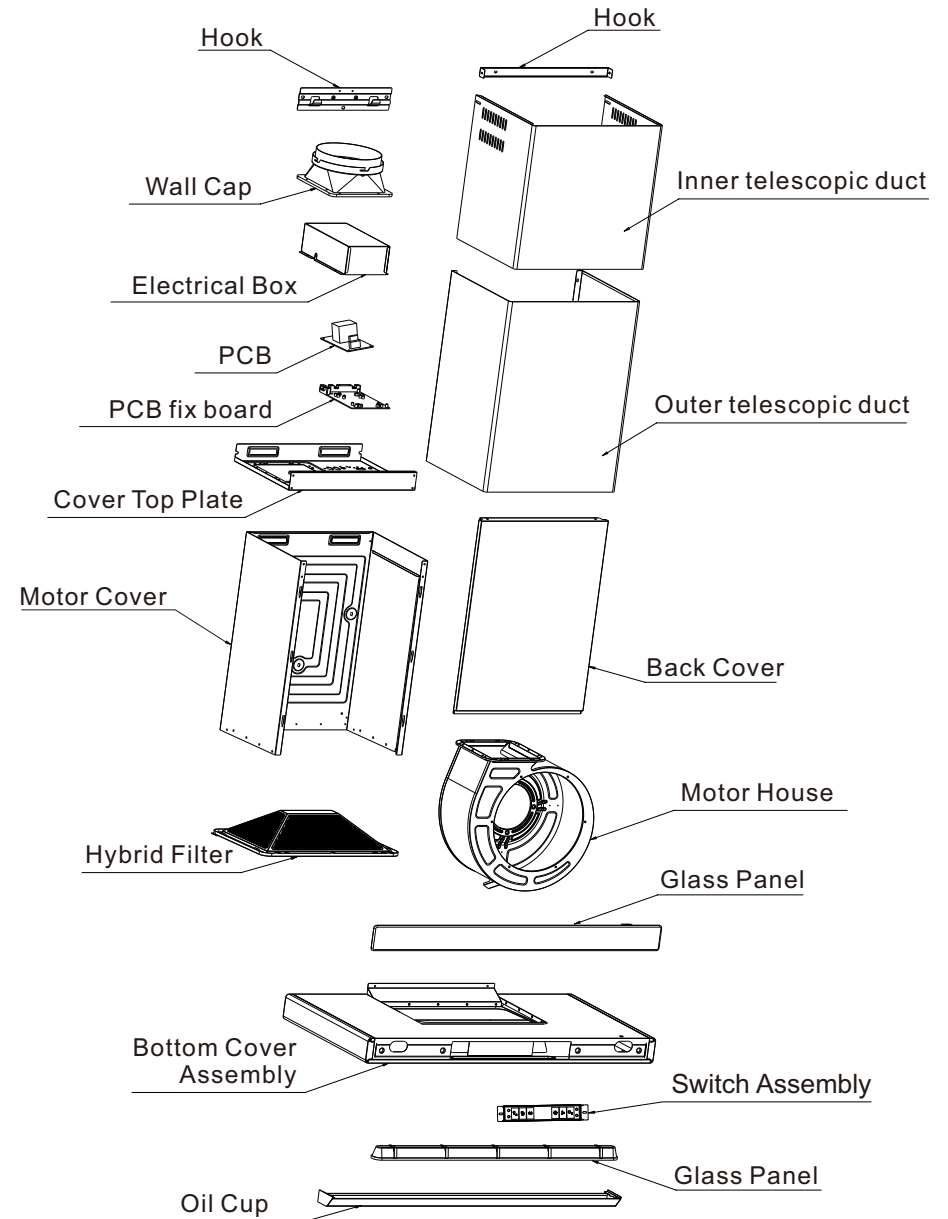
Customer Signature

TROUBLESHOOTINGS

CAUTION: Disconnect the power supply before servicing.

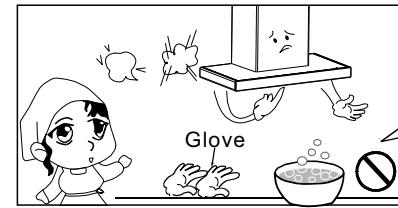
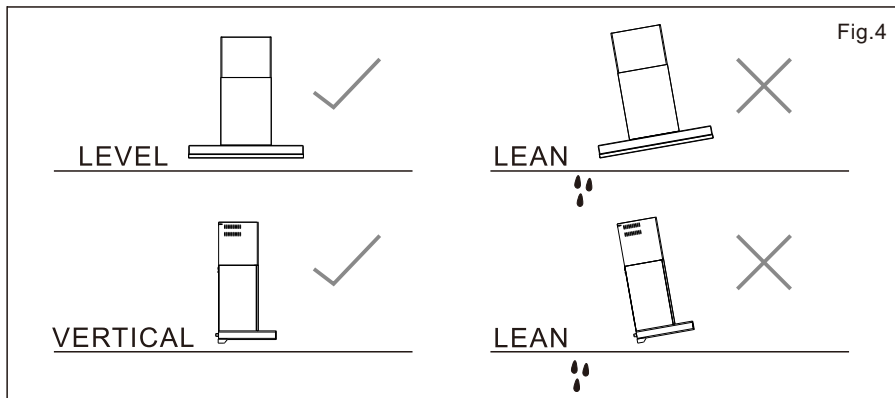
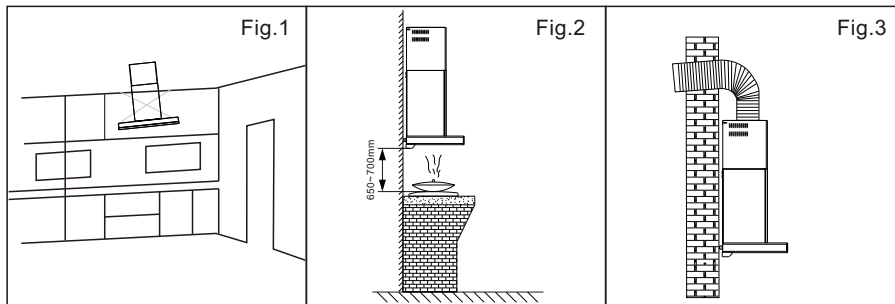
STATUS	CAUSE & METHOD OF REPAIRING	TOOL
Damaged of power supply	If the power supply is damaged, please call technician to repair.	"+" type screwdriver sharp pincers
The lamp works but the motor does not run	a) Take off the filter and check the connection between air inlet and wind chamber whether it is sealed or not. b) Check the connection between air exhaust pipe and wind chamber whether there is leakage of oil or not. If YES, please fill it up with the varnish or thinner. c) If the motor stops running and has a bad odor after a moment of operation, the motor wires may be burnout. Please replace motor d) If the starting wire (yellow) is disengaged from the condenser, it needs to be rewired e) If the condenser is damaged, please replace with a new one.	"+" type screwdriver
Machine vibration	a) If the motor were not firmly screwed, tighten the screw up. b) If the vane is damaged or unbalanced, replace with a new one.	"+" type screwdriver
Weak suction	a) The distance is too far between the cooker hood and hob. b) There are many windows (doors) causes strong wind convection. c) If due to the position of cooker hood install upon the window, you may put a three-ply board on the back of the cooker hood to cover the spaces.	"+" type screwdriver "+"
Tilting hood	a) Adjust the height of the model where it is hung on the ceiling. b) If the model tilt forward, lock the wall with wood screw again (the screw peep out around 0.5~1 cm from the wall), or check the screw that fixing the model are loose or not.	"+" type screwdriver
Lamp does not light-up	Take the screw off from the lamp shade and replace with a new light bulb, then fix the lamp shade back.	"+" type screwdriver

PRODUCT PARTS DIAGRAM

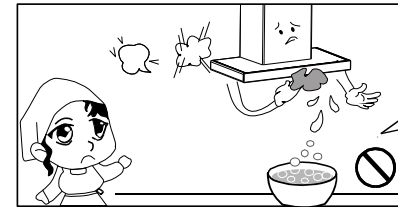


INSTALLATION REQUIREMENT

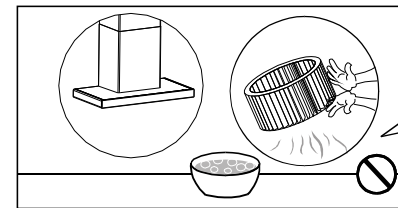
1. Do not install the cooker hood where there are many doors or windows in order to avoid affecting the exhaust efficiency of the hood caused by air convection. (refer Fig. 1)
2. Install the cooker hood right above the hob. The recommended distance between the hob and the lower edge of the cooker hood is minimum 280 mm and maximum 350mm. (Fig. 2)
3. In order to get the optimum performance, do not elongate the exhaust pipe too long, avoid over-bending of exhaust. Ensure the connection is airtight. (Fig. 3)
4. After hanging the unit on the wall, ensure the hood' level is vertically straight. (Fig. 4)
5. The air outlet must not be connected to chimney flues or combustion gas ducts. The air outlet must be under no circumstances, be connected to ventilation ducts in which fuel-burning appliances are installed.



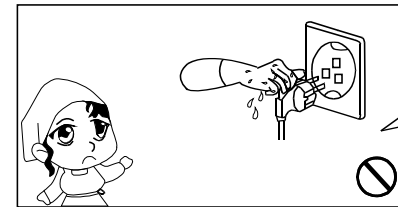
Dress the protective glove before you start to clean the hood. Remove the components gently during carrying out the clearance.



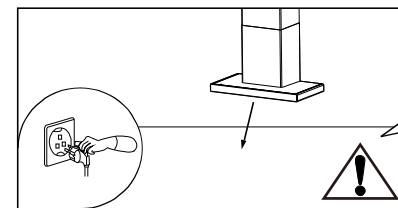
Never wash the control switch with water or other kind of liquid for the liquid might cause electrical problem to the hood.



To clean the motor fan should be undertaken by a qualified person, pay top attention to avoid any distortion of the fan during carrying out the clearance.

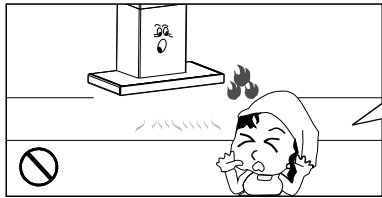


Never pull the plug out of the power supply by wet hand to avoid the possibility of electric shock.

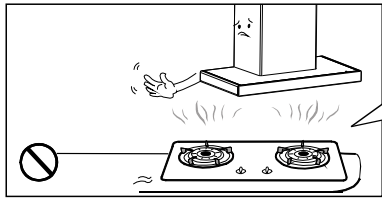


Disconnect the cooker hood from the power supply if this appliance will not be used for a long time.

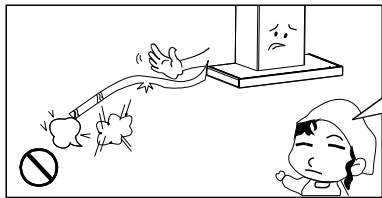
IMPORTANT SAFETY INSTRUCTIONS:



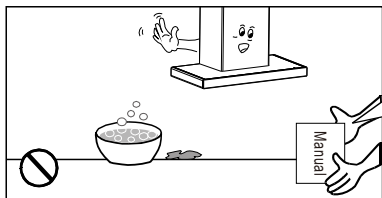
Do not connect the air outlet to chimney flues or combustion gas ducts.



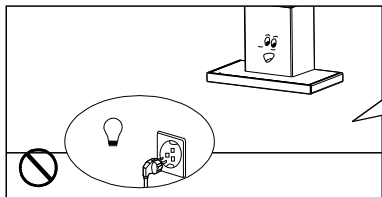
Do not leave naked flames under this hood.



In case of any damage to power cable, replace the broken cable with a new one by qualified person.



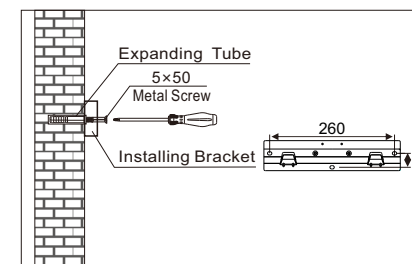
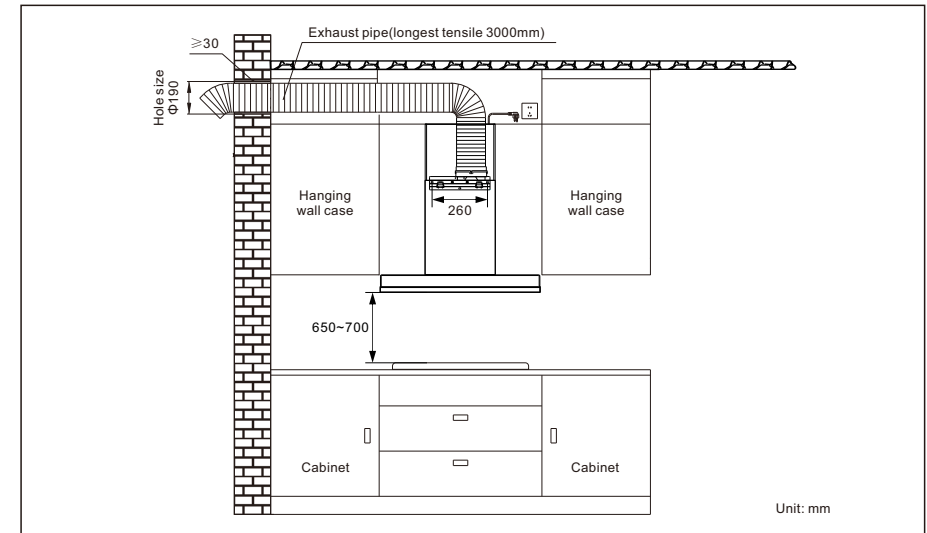
Do clean the hood correctly in accordance with instruction stated or it might cause the possibility of fire accident.



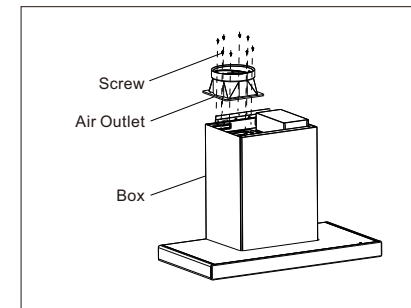
To replace the bulb should be undertaken by a qualified electrician or a competent person. Always use the bulb no more than rating.

INSTALLATION PROCEDURES

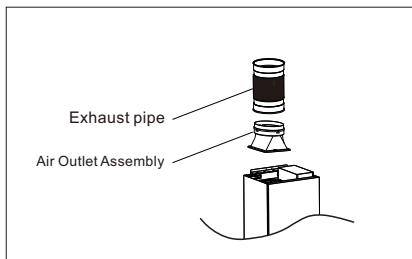
please carefully read the following diagram before installation, and install in accordance with the steps to ensure the smooth installation of the product.



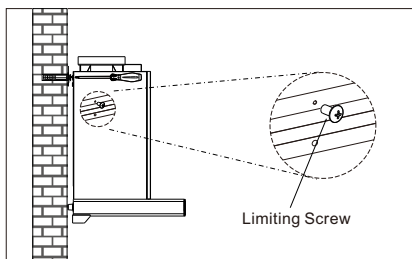
According to the dimension of installing bracket, on the walls in the corresponding position to accurately determine the position of an installing hole, use a $\Phi 10$ impact drilling out the mounting holes, and firmly buried expanding tube, then use the M5x50 wood screws fastening the installing bracket to the wall.



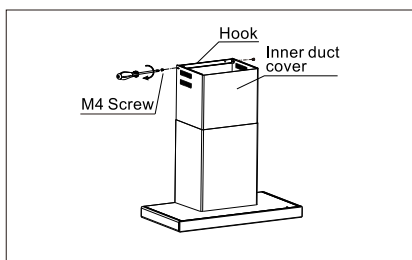
Remove the pan head screw with the air outlet cross slot at the top of the box, and then fix the hole position of the outlet component, and fasten the outlet component on the box with the removed screw respectively.



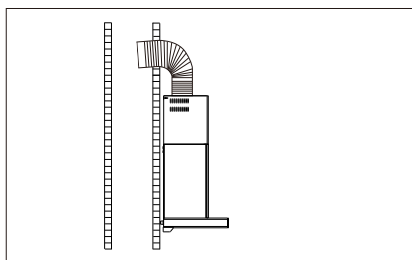
Insert the clasp on the outlet joint (with the step at one end) into its corresponding slot. Then align it with the clasp on the outlet and press it firmly down until it locks into place.



Pick the cooker hood up, the hanging hole at the back of the box assembly is aligned with the hanger on the installing bracket, and the limiting screw in the accessory bag is fixed on the hole of the installing bracket to prevent the accidental fall of the hood.



Pull the inner duct cover to a suitable height and secure the inner duct cover from the side to the installation bracket with the cross screwdriver.



If you need connect the common flue, please do not put the exhaust pipe too deeply, so as to not affect the effect.

MAINTENANCE

CAUTION: NEVER PUT YOUR HAND INTO THE AREA WHILE THE FAN IS OPERATING. TO GAIN OPTIMAL LEVEL OF HOOD PERFORMANCE, CLEAN THE COOKER HOOD SURFACE, FAN AND OIL FILTER REGULARLY.

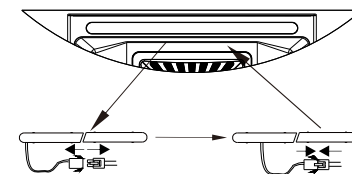
1. Use only mild soap or detergent solutions to clean the cooker hood surface.
 2. Clean the filter depending to usage or at least once a week. Press the buckle of the filter slightly, take off the filter and put it into warm soapy water using mild detergent, lightly brush the filter with soft brush. Place the filter back after it is dry.
 3. Clean the fan motor and others internal parts twice a year or depending to usage by QUALIFIED PERSONNEL.
 4. DO NOT clean the motor with water or other liquid.
 5. the appliance is not to be used by persons (including children) with reduced physical, sensory or mental capabilities, or lack of experience and knowledge, unless they have been given supervision or instruction.
 6. children being supervised not to play with the appliance.
 7. there shall be adequate ventilation of the room when the range hood is used at the same time as appliances burning gas or other fuels.
- CAUTION: Accessible parts may become hot when used with cooking appliances.
8. The air must not be discharged into a flue that is used for exhausting fumes from appliances burning gas or other fuels.
 9. Regulations concerning the discharge of air have to be fulfilled.
 10. The range hood is only intended to be installed over a hob with no more than four hob elements.



TO REPLACE LED LAMP

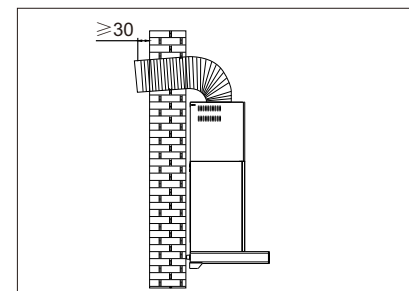
CAUTION: The lamp may be hot! Wait until unit is cool. If the lamps malfunction, please replace it with a new lamp. Make sure all the control is switches off and the cooker hood is unplugged!

Please follow below instructions:

1. Insert a screwdriver or a flat metal object into the gap along the edge of the LED light, force it to warp outward, remove the LED light and unplug the connecting wire, then you can repair and replace it.
2. You can replace a new LED lamp unit no more than rating!
3. Then put the lamp unit to the hood in reverse direction. Connect the wire of the lamp.



- (2) When the fan operates at any speed, simultaneously wave both gesture modules from right to left. First, switch to the delayed shutdown mode and enter a 3-minute delay shutdown. The power button will flash while the  icon lights up. If you wave again within 3 minutes, the system will shut down immediately. The  icon will turn off and the indicator light will be extinguished.
- (3) In standby state, two gesture modules are swung from right to left at the same time, and the system is shut down immediately (including lighting).
- (4) In the cleaning state, two gesture modules are swung from left to right or from right to left at the same time, which is invalid.
- (5) Gesture function is enabled by default at factory settings. When powered on, long-press the power button for 3 seconds. A “DING DONG” sound will be heard, followed by a 3-second blinking of the indicator light. Once the power button's indicator returns to its original state, the gesture function is disabled. To reactivate it: (a) Power off and restart; (b) Long-press the power button for 3 seconds until a “DING DONG” tone sounds, accompanied by a 10-second blinking of the indicator light. The gesture function will then be activated, with the power button's indicator returning to its original state.



If you connect the exhaust pipe to outdoor, please push it out of the wall at least 30, the air outlet should be slightly adown, to avoid rain water intrusion.

Installation confirmation: after installation, check the hood whether it is solid, turn the power on and test it, examine the function whether it is normal and whether there is abnormal vibration of the body, after confirmation, can be used.

OPERATING INSTRUCTIONS



- (1) When powered on, touch this key to enter the standby state; touch this key again to enter the power on state.



(2) Delayed Shutdown Function: When the fan is running, touching this button activates a 3-minute delayed shutdown mode. The display shows a 3 minute countdown while the fan continues operating normally. Upon completion of the countdown, the system automatically powers on. If you touch this button again during the countdown, it will immediately activate the power supply (excluding LED function).
- In standby state, touch this key to display F1 on the screen and enter low gear operation; touch this key again to display F2 on the screen and enter high gear operation, repeat this cycle.
- When in standby mode, tap this button to activate IQ-Sync (intelligent auto mode). The screen will first display "AU" for 3 seconds before showing real-time RPM. Long-press this button for 3 seconds to enter Blast Mode (operating at maximum speed for 3 minutes, with the screen first displaying "FF" followed by a countdown). After 3 minutes, IQ-Sync (intelligent auto mode) will automatically return. Within 3 minutes, pressing the fan speed button will switch you out of IQ-Sync (intelligent auto mode), allowing the fan to adjust to the corresponding speed setting.
- (1) The cooker hood's smoke and stove linkage function is disabled by default. When in standby mode, long-press this button for 3 seconds. The button indicator light will flash while the corresponding status indicator on the black screen illuminates, indicating the system has entered standby connection mode. Rotate the stove knob within 15 seconds to initiate binding. If successful, both the button indicator and status indicator lights will remain illuminated; otherwise, they will turn off.

(2) In the bound state, long press this key for 3 seconds. After the indicator light and status indicator light flash for 3 seconds, the smoke stove linkage will be released from the binding. (Do not rotate the stove knob when releasing the binding).

- (1) When powered on, pressing this button activates the H²meltz function. The corresponding status indicator light on the black screen will illuminate while the background indicator light stays on. The cleaning process begins with the heating module running for 10 minutes followed by 1 minute of high-speed fan operation. Upon completion, the cooker hood automatically shuts down. During cleaning, you can activate or deactivate the function by pressing either the H²meltz button or the power button. After deactivating the H²meltz function, the system returns to normal operation (excluding lighting).

(2) The H²meltz reminder function: When any gear is continuously operated for 60 hours, the indicator light of the H²meltz button will flash to remind the user to activate the H²meltz function.

Note: When entering the H²meltz function, other function keys are locked and operation is invalid (except power button, H²meltz button and lighting button).
- (1) LED function: Touch this key to turn on the LED. Touch this key again to turn off the LED.

(2) Air exchange Function: The LED function remains disabled by default. To enable it, press the button for 3 seconds while powered on. The corresponding status indicator light  will illuminate and flash on the black screen. To disable it, press the button again for 3 seconds while powered on, and the status indicator light  will turn off. Both disabling and reactivating can be repeated as needed.

(3) The smoke machine enters the Air exchange (ventilation) mode; it automatically switches to high-speed operation for 5 minutes, then stops for 15 minutes; subsequently, it continues to execute 2 cycles (a total of 3 cycles, each cycle operating for 5 minutes and stopping for 15 minutes) before entering the power-on state.

(4) Time Adjustment: To modify the time setting, hold down the "light" button for 3 seconds in standby mode. The indicator lights on both the "X-BOOST" and "low/high speed" buttons will flash while the "light" button stays illuminated. Press the "X-BOOST" button to add time, and the "low/high speed" button to subtract it. Switch between hour and minute settings by pressing the "light" button. After completing your adjustment, confirm the time setting by pressing the "light" button again. If no further action occurs within 3 minutes, the system will automatically save and confirm the settings.
- (1) When powered on, a left-to-right wave triggers 3 seconds of "AU" display followed by real-time speed, activating the IQ-sync (intelligent auto mode). Another wave shows "F2" for speed 2 operation, a third wave switches to X-BOOST mode, and a final wave returns to "AU" for IQ-sync (intelligent auto mode), cycling through this sequence.