

Customer Care

AFTER-SALES SERVICE:

Exact Quality Sdn. Bhd.

Hotline: **03-6286-9000**

Email: **eqservice@fiamma.com.my**

OPERATION HOURS

08:30am - 06:00pm

(Monday - Friday, except public holiday)

Our Warranty

6 yrs
Warranty

FOR HOOD MOTOR ONLY

18 mths
Warranty

FOR ALL PARTS
(EXCLUDING ACCESSORIES)

1 yr
Warranty
Extension

**1-year
Warranty
Extensions
When Register
Online!**

Online Registration

1. Log on to www.rubine.com.my
2. Click on 'Support', followed by 'Products Warranty Registration' to proceed. You're required to sign up as a member.
3. Please fill up the necessary information, tick on the checkbox and click 'Next'.
4. You'll receive a notification of warranty registration confirmation via email.
5. Your warranty will be automatically extended for another 1 year upon registration online. Please keep your online warranty certificate for reference.

rubine.com.my



FIAMMA TRADING SDN BHD 330476-P (A member of Fiamma Holdings Berhad)

Menara Chin Hin, Level 20, 8th & Stellar, No. 1, Jalan Naga Emas, Sri Petaling, 57000, Kuala Lumpur.



Rubine™

I T A L I A

REDEFINE THE WAY OF LIFE



USER MANUAL

MODEL

RCH-AURA-FP

SERIAL NO.

COOKER HOOD

Dear valued customer,

Thanks for your purchase of our product.

PLEASE READ & KEEP THIS USER MANUAL

CONTENTS

SPECIFICATIONS	1
PRODUCT DIMENSION	1
PRODUCT PART DIAGRAM	2
INSTALLATION REQUIREMENT	3
INSTALLATION PROCEDURES	4-6
OPERATING INSTRUCTIONS	7-9
MAINTENANCE	10
TO REPLACE LED LAMP	10
IMPORTANT SAFETY INSTRUCTIONS	11-12
TROUBLESHOOTINGS	13
WARRANTY CARD	14



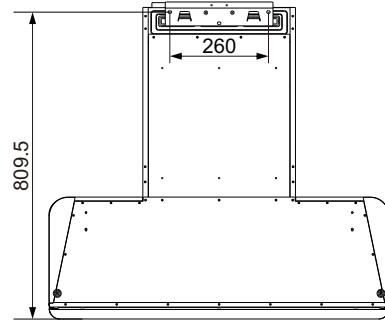
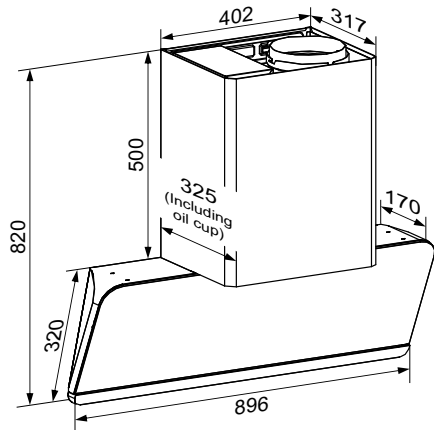
Please note that this product is marked with this symbol:

According to Waste of Electrical and Electronic Equipment (WEEE) directive, WEEE should separately collect and treat. If in future you need to dispose this product, PLEASE DO NOT dispose it with household waste. Please send it to WEEE collection point.

SPECIFICATIONS

Model Name: RCH-AURA-FP
 Motor Power: 188W
 Max. Power Input: 192.5W
 Boost Power: 450W
 Thermal Power: 50W
 Lighting Power: 1×4.5W
 Voltage: 220-240V
 Frequency: 50Hz
 Control Panel: Sensor Touch Control

PRODUCT DIMENSION



Unit: mm

Schematic diagram of the lighting lamp structure

Lamp image	Lamp information	
	Lamp Type	LED lamp strains
	Max Power	≤4.5W
	Voltage	12V DC
	Size	338.5×96mm

Lamp image	Lamp information	
	Lamp Type	LED lamp strains
	Max Power	≤2W
	Voltage	12V DC
	Size	128×24.2mm

WARRANTY CARD

WARRANTY CONDITIONS

Subject to following Term & Conditions, this equipment is guaranteed against defective material & manufacturing defects by Fiamma Trading Sdn Bhd for a period of twelve (12) months from the date of original purchase. Fiamma Trading Sdn Bhd reserves the right to change these terms & conditions without prior notice.

Terms & Conditions:-

- This warranty is valid & provided that warranty card is completed with authorized dealer's stamp from the date of original purchase and in the territory of Malaysia only.
- This warranty covers repair or, at the option of Fiamma Trading Sdn Bhd, replacement of any parts proven to be defective due to defective workmanship or material provided that the product was purchased from an authorized dealer of Fiamma Trading Sdn Bhd.
- This warranty does not cover the damage resulting from:
 - Any unauthorized disassembly, service repair, alteration or modification being carried out.
 - Abnormal voltage or the use of generator and/or used not in accordance with the Operating Manual / User Manual.
 - Misuse, abuse, negligence or accident howsoever caused.
 - Normal wear or tear.
 - Rough handling & transportation.
 - Commercial / public use e.g. hotel, laundry, college, university, etc.
- This warranty does not cover the following accessories:
 - Burner Caps/Supports
 - Cast Iron Grib
 - Knobs
 - Body Work
 - Light Bulb
 - Charcoal / Filter
 - Cover
 - Glass Cover / Screen
 - Trays/Shelves
 - Hose
- This warranty is considered null & void in the events if:
 - Any item contained in this warranty card has been tempered with or altered in any way without the prior written consent of Fiamma Trading Sdn Bhd. Request for warranty services within the warranty period must be accompanied with this warranty card & proof of original purchase.
 - Any time during the warranty period, any part / parts of this equipment is / are removed, altered, tempered with, adjusted, modified, dismantled, repaired or handled in any way whatsoever by any person / persons not authorized by us.
 - The serial number of the product has been defaced or removed.
- Warranty for WINE CHILLER compressor is (5) five years, gas refill and labor charges are excluded.
- In the event of defects covered by this warranty arising during the warranty period, the purchaser shall be fully responsible for the due delivery to our dedicated service centre of the equipment (expect for the refrigerator, washing machine, ovens, cooker hood, gas cooker, dishwasher, dryer, built-in hob, freezer, water heater) for any work which shall need to be done pursuant to this warranty & subsequent collection thereof of the equipment after the said work has been done.
- This warranty is in lieu of any, and all other warranties expressed or implied warranty of merchantability or fitness for a particular purpose. Fiamma Trading Sdn Bhd assumes no liability for the breach of the warranty beyond correcting the breath in the manner described above. In no event shall Fiamma Trading Sdn Bhd be liable for consequential losses or damages, including loss of use or loss of profits resulting from the product.

FOR OFFICE USE

Model Name Serial No
 Barcode :

Customer's Name (In Block/Full Name)

Date of Purchase : DAY MTH YR

Customer's Address (Full Address) :

PostCode : State :

Customer's Tel No : (H) - (O) -

Customer's Email : (H/P)

Authorized dealer's stamp
 Fiamma Trading Sdn. Bhd.

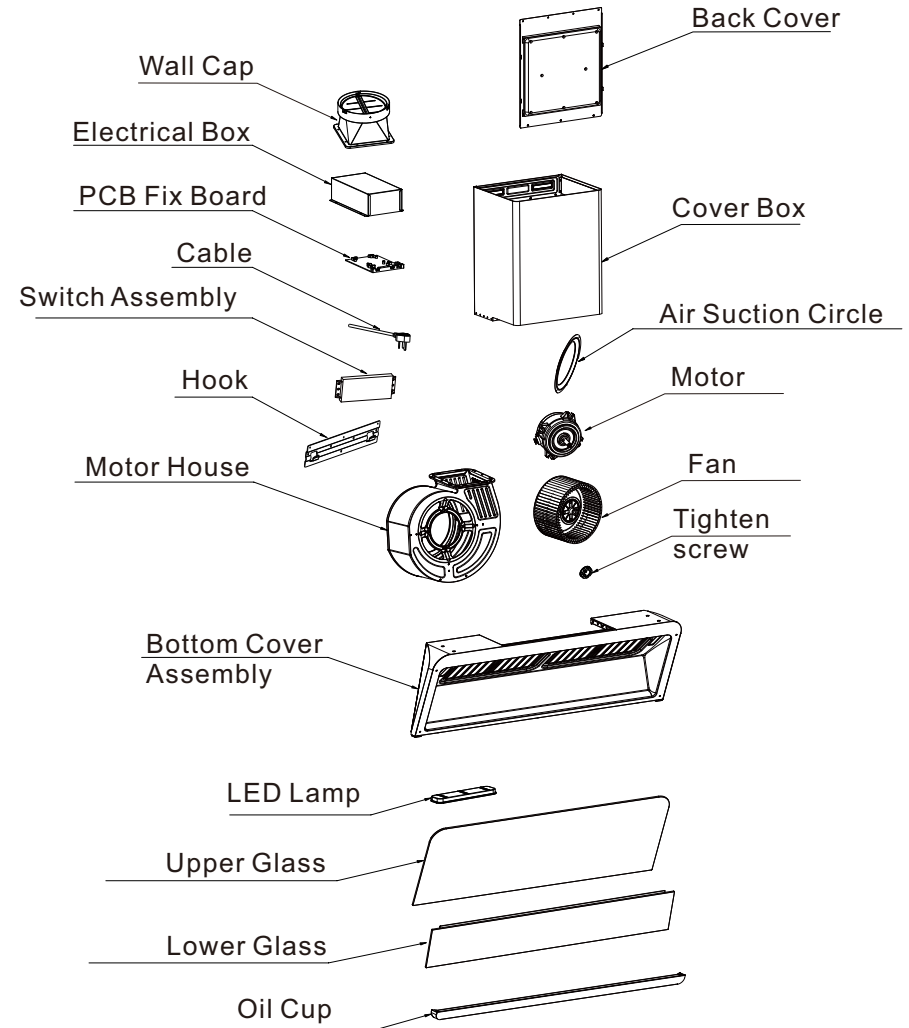
Customer Signature

TROUBLESHOOTINGS

CAUTION: Disconnect the power supply before servicing.

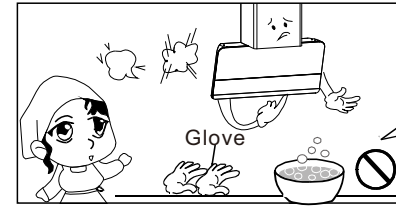
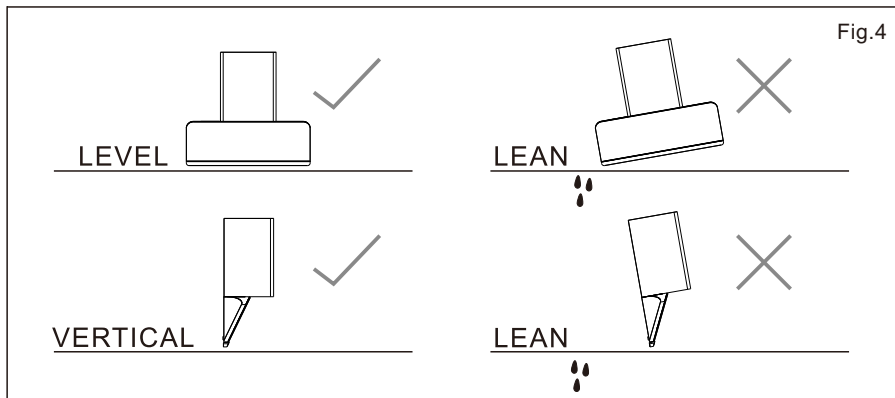
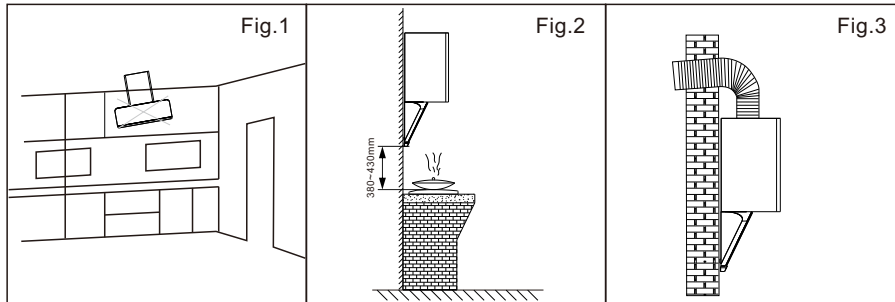
STATUS	CAUSE & METHOD OF REPAIRING	TOOL
Damaged of power supply	If the power supply is damaged, please call technician to repair.	"+" type screwdriver sharp pincers
The lamp works but the motor does not run	a) Take off the filter and check the connection between air inlet and wind chamber whether it is sealed or not. b) Check the connection between air exhaust pipe and wind chamber whether there is leakage of oil or not. If YES, please fill it up with the varnish or thinner. c) If the motor stops running and has a bad odor after a moment of operation, the motor wires may be burnout. Please replace motor d) If the starting wire (yellow) is disengaged from the condenser, it needs to be rewired e) If the condenser is damaged, please replace with a new one.	"+" type screwdriver
Machine vibration	a) If the motor were not firmly screwed, tighten the screw up. b) If the vane is damaged or unbalanced, replace with a new one.	"+" type screwdriver
Weak suction	a) The distance is too far between the cooker hood and hob. b) There are many windows (doors) causes strong wind convection. c) If due to the position of cooker hood install upon the window, you may put a three-ply board on the back of the cooker hood to cover the spaces.	"+" type screwdriver "+"
Tilting hood	a) Adjust the height of the model where it is hung on the ceiling. b) If the model tilt forward, lock the wall with wood screw again (the screw peep out around 0.5~1 cm from the wall), or check the screw that fixing the model are loose or not.	"+" type screwdriver
Lamp does not light-up	Take the screw off from the lamp shade and replace with a new light bulb, then fix the lamp shade back.	"+" type screwdriver

PRODUCT PARTS DIAGRAM

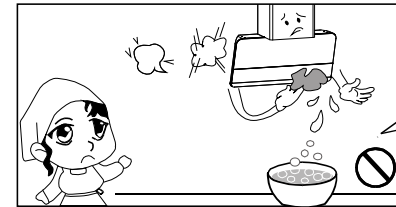


INSTALLATION REQUIREMENT

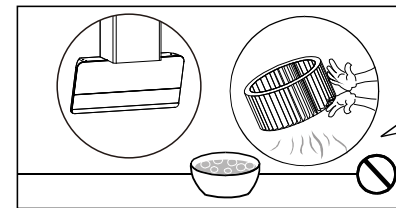
1. Do not install the cooker hood where there are many doors or windows in order to avoid affecting the exhaust efficiency of the hood caused by air convection. (refer Fig. 1)
2. Install the cooker hood right above the hob. The recommended distance between the hob and the lower edge of the cooker hood is minimum 280 mm and maximum 350mm. (Fig. 2)
3. In order to get the optimum performance, do not elongate the exhaust pipe too long, avoid over-bending of exhaust. Ensure the connection is airtight. (Fig. 3)
4. After hanging the unit on the wall, ensure the hood' level is vertically straight. (Fig. 4)
5. The air outlet must not be connected to chimney flues or combustion gas ducts. The air outlet must be under no circumstances, be connected to ventilation ducts in which fuel-burning appliances are installed.



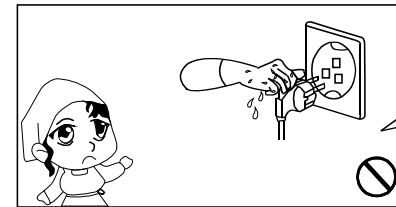
Dress the protective glove before you start to clean the hood. Remove the components gently during carrying out the clearance.



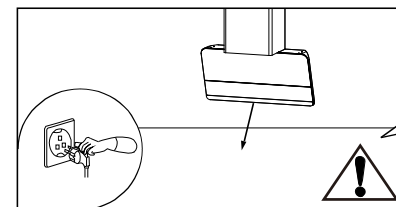
Never wash the control switch with water or other kind of liquid for the liquid might cause electrical problem to the hood.



To clean the motor fan should be undertaken by a qualified person, pay top attention to avoid any distortion of the fan during carrying out the clearance.



Never pull the plug out of the power supply by wet hand to avoid the possibility of electric shock.

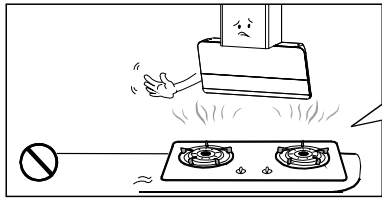


Disconnect the cooker hood from the power supply if this appliance will not be used for a long time.

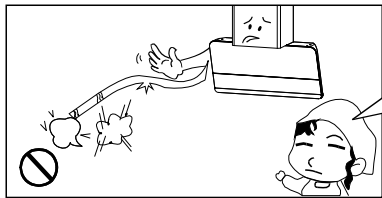
IMPORTANT SAFETY INSTRUCTIONS:



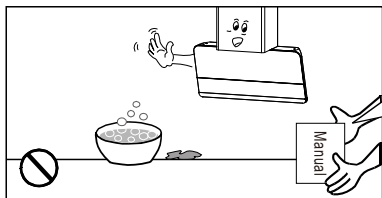
Do not connect the air outlet to chimney flues or combustion gas ducts.



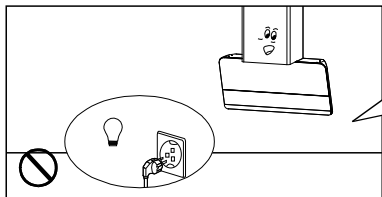
Do not leave naked flames under this hood.



In case of any damage to power cable, replace the broken cable with a new one by qualified person.



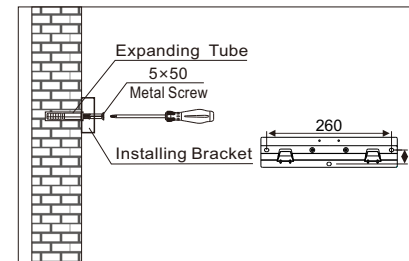
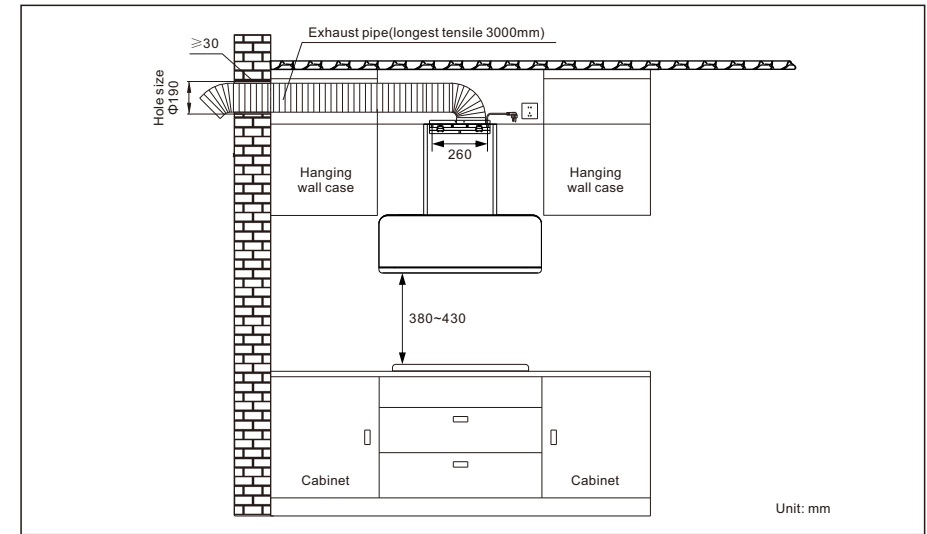
Do clean the hood correctly in accordance with instruction stated or it might cause the possibility of fire accident.



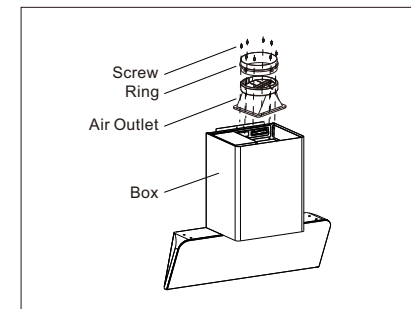
To replace the bulb should be undertaken by a qualified electrician or a competent person. Always use the bulb no more than rating.

INSTALLATION PROCEDURES

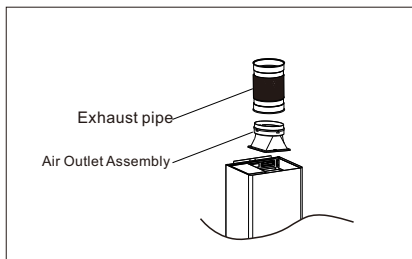
please carefully read the following diagram before installation, and install in accordance with the steps to ensure the smooth installation of the product.



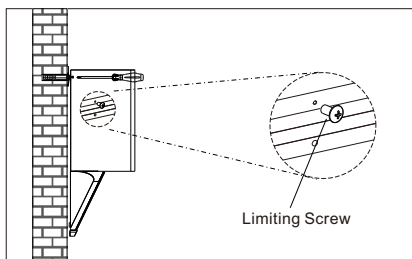
According to the dimension of installing bracket, on the walls in the corresponding position to accurately determine the position of an installing hole, use a $\Phi 10$ impact drilling out the mounting holes, and firmly buried expanding tube, then use the M5x50 wood screws fastening the installing bracket to the wall.



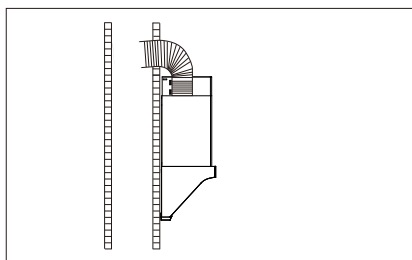
Remove the pan head screw with the air outlet cross slot at the top of the box, and then fix the hole position of the outlet component, and fasten the outlet component on the box with the removed screw respectively.



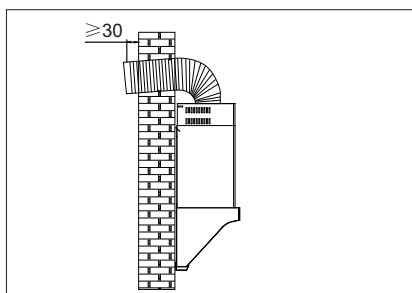
Embed the clasp on the outlet joint with a step at one end, then align the clasp on the outlet and press the clasp to the bottom.



Pick the cooker hood up, the hanging hole at the back of the box assembly is aligned with the hanger on the installing bracket, and the limiting screw in the accessory bag is fixed on the hole of the installing bracket to prevent the accidental fall of the hood.



If you need connect the common flue, please do not put the exhaust pipe too deeply, so as to not affect the effect.



If you connect the exhaust pipe to outdoor, please push it out of the wall at least 30, the air outlet should be slightly adown, to avoid rain water intrusion.

Installation confirmation: after installation, check the hood whether it is solid, turn the power on and test it, examin the function whether it is normal and whether there is abnormal vibration of the body, after confirmation, can be used.

MAINTENANCE

CAUTION: NEVER PUT YOUR HAND INTO THE AREA WHILE THE FAN IS OPERATING. TO GAIN OPTIMAL LEVEL OF HOOD PERFORMANCE, CLEAN THE COOKER HOOD SURFACE, FAN AND OIL FILTER REGULARLY.

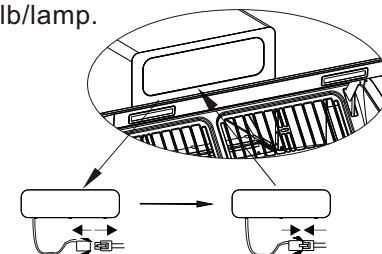
1. Use only mild soap or detergent solutions to clean the cooker hood surface.
 2. Clean the filter depending to usage or at least once a week. Press the buckle of the filter slightly, take off the filter and put it into warm soapy water using mild detergent, lightly brush the filter with soft brush. Place the filter back after it is dry.
 3. Clean the fan motor and others internal parts twice a year or depending to usage by QUALIFIED PERSONNEL.
 4. DO NOT clean the motor with water or other liquid.
 5. the appliance is not to be used by persons (including children) with reduced physical, sensory or mental capabilities, or lack of experience and knowledge, unless they have been given supervision or instruction.
 6. children being supervised not to play with the appliance.
 7. there shall be adequate ventilation of the room when the range hood is used at the same time as appliances burning gas or other fuels.
- CAUTION: Accessible parts may become hot when used with cooking appliances.
8. The air must not be discharged into a flue that is used for exhausting fumes from appliances burning gas or other fuels.
 9. Regulations concerning the discharge of air have to be fulfilled.
 10. The range hood is only intended to be installed over a hob with no more than four hob elements.


TO REPLACE LED LAMP

CAUTION: The lamp may be hot! Wait until unit is cool. If the lamps malfunction, please replace it with a new lamp. Make sure all the control is switches off and the cooker hood is unplugged!

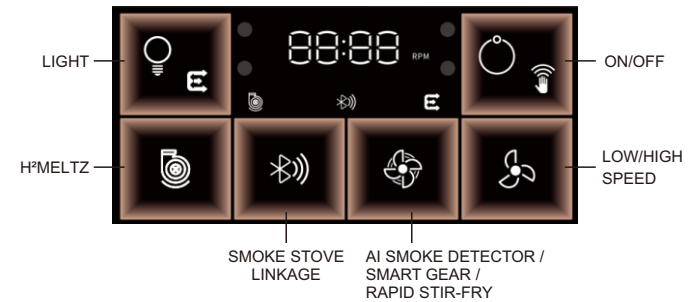
Please follow below instructions:




1. Switch the unit off and unplug the appliance.
2. Gently pry out the light fixture with a flathead screwdriver or a small knife, then pull out the connector. The light fixture can be removed.
(Note: Do not use excessive force when disassembling the light fixture to prevent breakage.)
3. Replace with the same type and rated bulb/lamp.





- machine will enter the stir-frying mode, and the  indicator light will remain constantly on. This cycle repeats. (The F1 mode can only be activated by touching.)
- (3) When the fan operates at any speed, it simultaneously waves two gesture modules from right to left. Firstly, it switches to a delay shutdown mode and enters a 3-minute delay shutdown. After 3 minutes, if it waves again, it will immediately shut down, and the lighting will also turn off.
- (4) In the standby mode, when it waves two gesture modules from right to left simultaneously, it will immediately shut down and the lighting will also turn off.
- (5) In the H²meltz mode, when it waves two gesture modules from left to right or from right to left simultaneously, it is ineffective.
- (6) The default gesture function is enabled at the factory. When powered on, press the power button for 3 seconds, and there will be a "DING DONG" sound. The indicator light of this button will flash for 3 seconds. Then the gesture function is turned off. If you want to turn on the gesture function again: a) You can power off and then power on again; b) Press the power button for 3 seconds, and there will be a "DING DONG" sound. The indicator light of this button will flash for 10 seconds, and the gesture function will be enabled.


OPERATING INSTRUCTIONS













-  (1) When powered on, touching this key will illuminate all buttons and enter standby mode; touching it again will return to the powered-on state.
 - (2) Delayed Shutdown Function: While the fan is running, touching this button will activate the 3 minute delayed shutdown mode. The fan will continue running at its current speed until the countdown ends, at which point the fan will stop and the lights will turn off, leaving the range hood in a powered-on state. During the delayed shutdown countdown, touching this button again will return the range hood to the powered-on state (excluding lighting).
 -  Gear Shift Function: In standby mode, touch this button to display F1 and enter low gear operation, with the button indicator flashing; touch this button again to display F2 and enter high gear operation, with the button indicator staying lit; this cycle repeats.
 -  (1) When in standby mode or with the fan running, touching this button will fully illuminate it. The screen will display "AU" for 3 seconds before showing the rotation speed, entering the IQ-Sync (intelligent auto mode) .
 - (2) In standby mode or when the fan is running, holding this button for 3 seconds will keep the button's indicator light on, and the range hood will enter the High-Fire Stir-Fry mode, displaying a 3 minute countdown. The motor will continue operating at the High-Fire Stir-Fry speed for 3 minutes, after which it will exit this mode automatically or upon manual operation of this button. The range hood will then switch to IQ-Sync (intelligent auto mode) operation; if the High-Fire Stir-Fry mode is activated while the motor is already running, it will return to its previous operating speed after exiting this mode.
- Note: If the High-Fire Stir-Fry mode is exited by manual operation of the speed control button, the range hood will respond directly to the manual speed setting.

-  (1) The range hood is defaulted to disable the smoke stove linkage function. In standby mode, press and hold this button for 3 seconds. The button's indicator light will flash, and the corresponding status indicator light on the black screen will also flash, entering the waiting-to-connect state. Within 15 seconds, rotate the stove knob to start pairing. After successful pairing, both the button's indicator light and status indicator light will remain steadily lit; otherwise, the lights will turn off.
- (2) While in paired mode, press and hold this button for 3 seconds. The button's indicator light and status indicator light will flash for 3 seconds and then turn off, releasing the smoke stove linkage pairing. (Do not rotate the stove knob while unpairing.)
- (3) When the stove and hood are successfully connected, upon igniting the stove, the range hood will automatically enter the IQ-Sync (intelligent auto mode) for operation.

-  (1) When the power is on, touch this button. The indicator light of this button will remain constantly on, and at the same time, the corresponding status indicator light on the black screen will also remain on. The H²meltz function is activated and starts to work (the heating module operates for 10 minutes and then the fan operates at high speed for 1 minute). After the cleaning is completed, the fan convection cooker will automatically enter the shutdown state. During the cleaning process, you can turn off the H²meltz function and enter the powered-on state by pressing the H²meltz button or the power button (excluding the lighting function). Note: When entering the H²meltz function, all other function buttons are locked and the operation is invalid (except for the power button, H²meltz button, and light button).
- (2) H²meltz reminder function: a) When the fan operates at any speed for a cumulative total of 60 hours, the icon of the H²meltz button will keep flashing, reminding the user to perform oil removal until the user confirms that the oil removal is completed. After that, the timer will be reset automatically and restarted from zero; b) After the user completes the oil removal, in the standby state, long press the H²meltz button for 3 seconds. After the H²meltz button icon flashes 3 times, the timer will automatically reset (indicating that the oil removal has been completed).

-  (1) In any state, pressing this key will turn on the light.
- (2) When in delayed shutdown mode, if the light is on, press the power button to turn off the light; When the delay function is completed, if the light is on, turn off the light; When shutting down by hand gesture, if the light is on, turn off the light; When the self-cleaning process is finished, if the light is on, turn off the light.

-  (3) Ventilation Function: The ventilation function is not enabled by default. To enable it, in the powered-on state, press and hold this key for 3 seconds. The corresponding status indicator lights will light up and flash on the black screen; to cancel it, press and hold this key for 3 seconds again in the powered-on state, and the corresponding status indicator lights  and  will go out. The cancellation and restoration can be repeated as needed.
- (4) The fan enters the ventilation function state; after the motor stops working (excluding the motor working in the hot cleaning state), 5 minutes later, the motor will automatically operate at high speed for 5 minutes, then stop for 15 minutes; after that, it will continue to execute 2 cycles (a total of 3 cycles, each cycle working for 5 minutes and stopping for 15 minutes) before officially entering the motor's constant-off state.
- (5) In standby mode, hold down the light key for 3 seconds. The light key indicator light will remain on constantly, while the indicator lights of the range hood and  and the  will flash. (All other key indicator lights will be on.) At the same time, the hour position on the display screen will flash, indicating that the time setting mode has been entered. By default, it is in hour setting mode. (Each press of the  will increase the time by one unit, and each press of the range hood and  will decrease the time by one unit. Hours can be selected in a cycle from 0 to 23, and minutes can be selected in a cycle from 0 to 59.) After setting the hours, press the light key once again to switch to minute setting (the minute position will flash). After setting, press the light key once more to save the time setting and exit the time setting mode, or the time setting will be saved and the time setting mode will exit automatically after 5 seconds without any operation. (The function is activated by pressing the light key instead of the wind speed key, and can be activated in standby mode.)

- (1) When the device is powered on for the first time, wave your hand from left to right. The power button indicator light will turn on, and the fan will enter the standby mode. Wave again, and the fan will enter the intelligent mode operation. The  indicator light will remain constantly on. Once again, wave your hand. The fan starts running at high speed. The speed indicator light remains on. Wave your hand from left to right again. The fan switches to the stir-fry mode, and the  indicator light stays on.
- (2) When the machine is powered on, wave your hand from left to right. The machine will enter the intelligent speed mode and the  indicator light will remain constantly on. Wave your hand again, and the machine will enter the high-speed mode, and the wind speed key indicator light will remain constantly on. Wave your hand from left to right once more, and the