

Customer Care

AFTER-SALES SERVICE:

Exact Quality Sdn. Bhd.

Hotline: **03-6286-9000**

Email: **eqservice@fiamma.com.my**

OPERATION HOURS

08:30am - 06:00pm

(Monday - Friday, except public holiday)

Our Warranty

6 yrs
Warranty

FOR HOOD MOTOR ONLY

18 mths
Warranty

FOR ALL PARTS
(EXCLUDING ACCESSORIES)

1 yr
Warranty
Extension

**1-year
Warranty
Extensions
When Register
Online!**

Online Registration

1. Log on to www.rubine.com.my
2. Click on 'Support', followed by 'Products Warranty Registration' to proceed. You're required to sign up as a member.
3. Please fill up the necessary information, tick on the checkbox and click 'Next'.
4. You'll receive a notification of warranty registration confirmation via email.
5. Your warranty will be automatically extended for another 1 year upon registration online. Please keep your online warranty certificate for reference.

rubine.com.my



FIAMMA TRADING SDN BHD 330476-P (A member of Fiamma Holdings Berhad)
Menara Chin Hin, Level 20, 8th & Stellar, No. 1, Jalan Naga Emas, Sri Petaling, 57000, Kuala Lumpur.



Rubine™

I T A L I A

REDEFINE THE WAY OF LIFE



USER MANUAL

MODEL

RCH-MOOD-FP

SERIAL NO.

COOKER HOOD

Dear valued customer,

Thanks for your purchase of our product.

PLEASE READ & KEEP THIS USER MANUAL

CONTENTS

SPECIFICATIONS	1
PRODUCT DIMENSION	1
PRODUCT PART DIAGRAM	2
INSTALLATION REQUIREMENT	3
INSTALLATION PROCEDURES	4-6
OPERATING INSTRUCTIONS	6-9
MAINTENANCE	10
TO REPLACE LED LAMP	10
IMPORTANT SAFETY INSTRUCTIONS	11-12
TROUBLESHOOTINGS	13
WARRANTY CARD	14



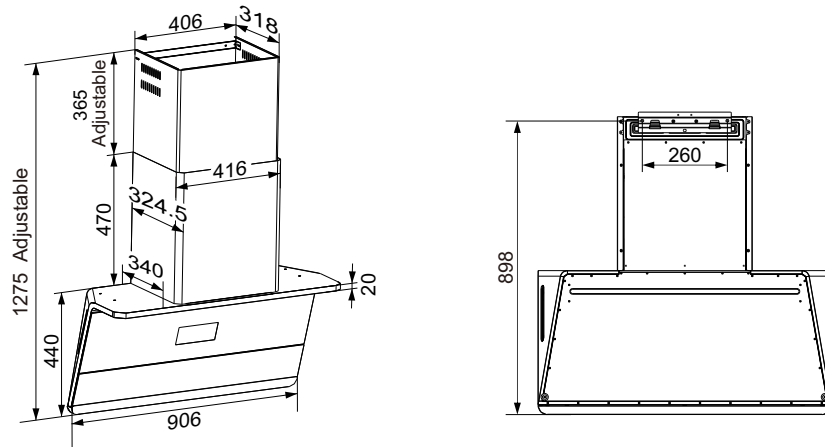
Please note that this product is marked with this symbol:

According to Waste of Electrical and Electronic Equipment (WEEE) directive, WEEE should separately collect and treat. If in future you need to dispose this product, PLEASE DO NOT dispose it with household waste. Please send it to WEEE collection point.

SPECIFICATIONS

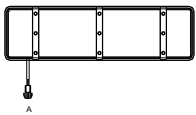

Model Name: RCH-MOOD-FP
 Motor Power: 188W
 Max. Power Input: 193W
 Boost Power: 450W
 Thermal Power: 50W
 Lighting Power: 1×5W
 Voltage: 220-240V
 Frequency: 50Hz
 Control Panel: Sensor Touch Control

PRODUCT DIMENSION



Unit: mm

Schematic diagram of the lighting lamp structure

Lamp image	Lamp information	
	Lamp Type	72 LED lamp strains
	Max Power	5W×1
	Voltage	12V DC
	Size	385×110mm
Lamp image	Lamp information	
	Lamp Type	15 LED lamp strains
	Max Power	2W×4
	Voltage	12V DC
	Size	180×15mm

WARRANTY CARD

WARRANTY CONDITIONS

Subject to following Term & Conditions, this equipment is guaranteed against defective material & manufacturing defects by Fiamma Trading Sdn Bhd for a period of twelve (12) months from the date of original purchase. Fiamma Trading Sdn Bhd reserves the right to change these terms & conditions without prior notice.

Terms & Conditions:-

- This warranty is valid & provided that warranty card is completed with authorized dealer's stamp from the date of original purchase and in the territory of Malaysia only.
- This warranty covers repair or, at the option of Fiamma Trading Sdn Bhd, replacement of any parts proven to be defective due to defective workmanship or material provided that the product was purchased from an authorized dealer of Fiamma Trading Sdn Bhd.
- This warranty does not cover the damage resulting from:
 - Any unauthorized disassembly, service repair, alteration or modification being carried out.
 - Abnormal voltage or the use of generator and/or used not in accordance with the Operating Manual / User Manual.
 - Misuse, abuse, negligence or accident howsoever caused.
 - Normal wear or tear.
 - Rough handling & transportation.
 - Commercial / public use e.g. hotel, laundry, college, university, etc.
- This warranty does not cover the following accessories:
 - Burner Caps/Supports
 - Cast Iron Grib
 - Knobs
 - Body Work
 - Light Bulb
 - Charcoal / Filter
 - Cover
 - Glass Cover / Screen
 - Trays/Shelves
 - Hose
- This warranty is considered null & void in the events if:
 - Any item contained in this warranty card has been tempered with or altered in any way without the prior written consent of Fiamma Trading Sdn Bhd. Request for warranty services within the warranty period must be accompanied with this warranty card & proof of original purchase.
 - Any time during the warranty period, any part / parts of this equipment is / are removed, altered, tempered with, adjusted, modified, dismantled, repaired or handled in any way whatsoever by any person / persons not authorized by us.
 - The serial number of the product has been defaced or removed.
- Warranty for WINE CHILLER compressor is (5) five years, gas refill and labor charges are excluded.
- In the event of defects covered by this warranty arising during the warranty period, the purchaser shall be fully responsible for the due delivery to our dedicated service centre of the equipment (expect for the refrigerator, washing machine, ovens, cooker hood, gas cooker, dishwasher, dryer, built-in hob, freezer, water heater) for any work which shall need to be done pursuant to this warranty & subsequent collection thereof of the equipment after the said work has been done.
- This warranty is in lieu of any, and all other warranties expressed or implied warranty of merchantability or fitness for a particular purpose. Fiamma Trading Sdn Bhd assumes no liability for the breach of the warranty beyond correcting the breath in the manner described above. In no event shall Fiamma Trading Sdn Bhd be liable for consequential losses or damages, including loss of use or loss of profits resulting from the product.

FOR OFFICE USE

Model Name Serial No
 Barcode :

Customer's Name (In Block/Full Name)

Date of Purchase : DAY MTH YR

Customer's Address (Full Address) :

PostCode : State :

Customer's Tel No : (H) - (O) -

Customer's Email : (H/P)

Authorised dealer's stamp
 Fiamma Trading Sdn. Bhd.

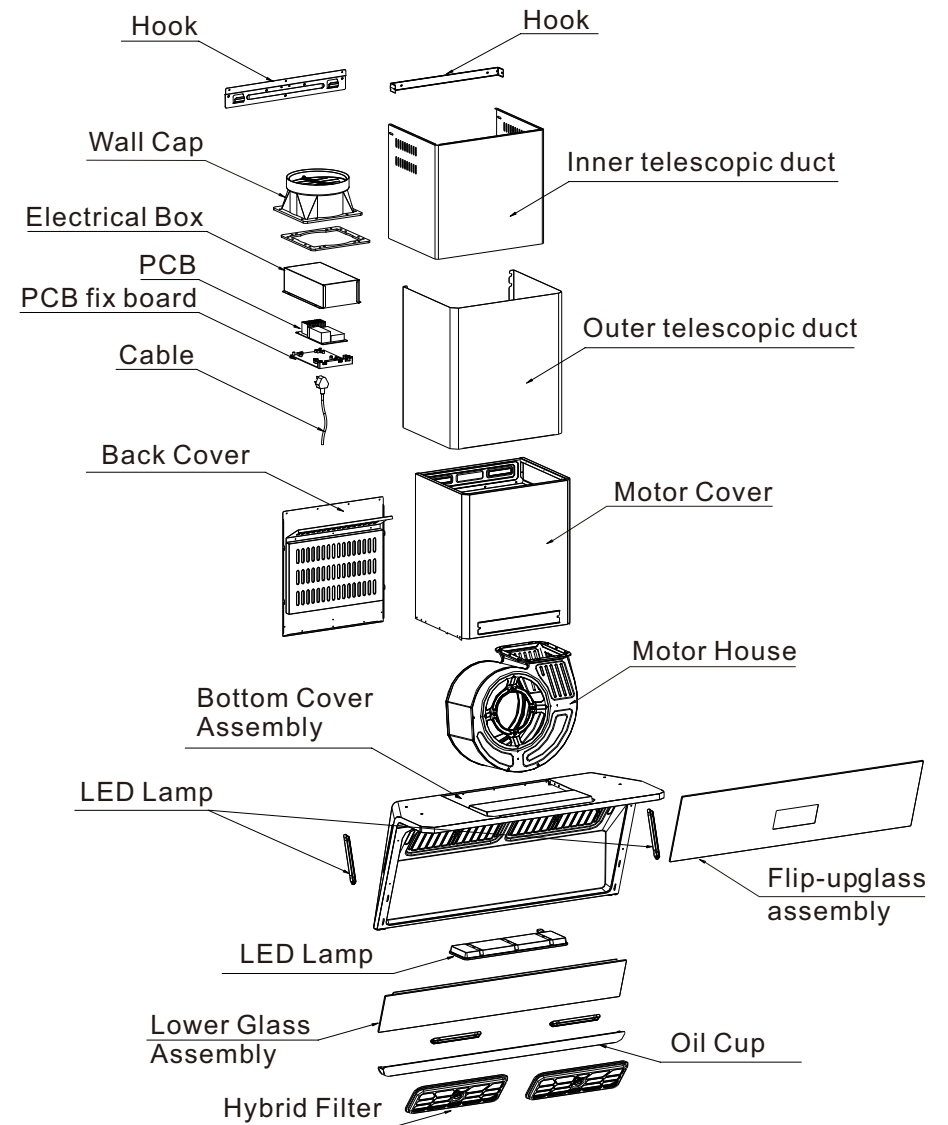
Customer Signature

TROUBLESHOOTINGS

CAUTION: Disconnect the power supply before servicing.

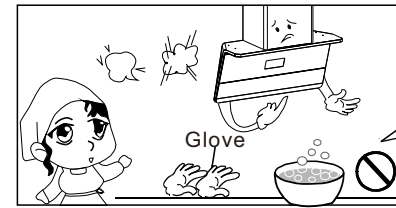
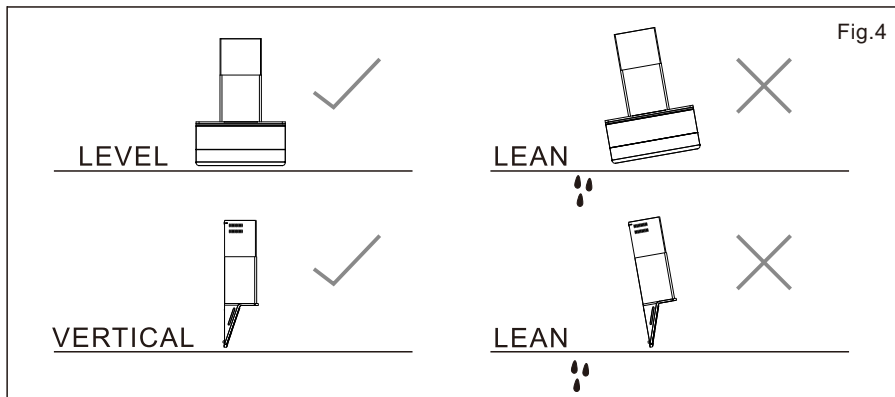
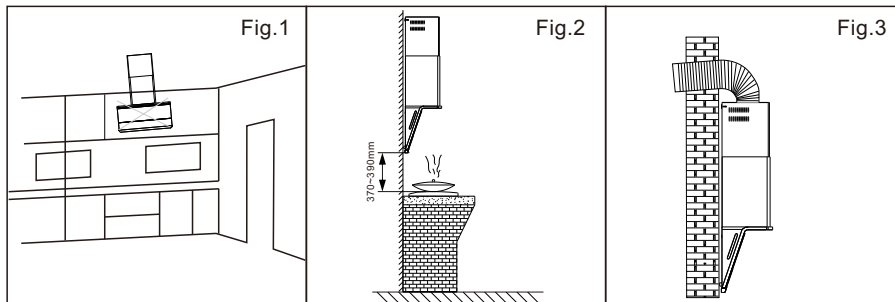
STATUS	CAUSE & METHOD OF REPAIRING	TOOL
Damaged of power supply	If the power supply is damaged, please call technician to repair.	"+" type screwdriver sharp pincers
The lamp works but the motor does not run	a) Take off the filter and check the connection between air inlet and wind chamber whether it is sealed or not. b) Check the connection between air exhaust pipe and wind chamber whether there is leakage of oil or not. If YES, please fill it up with the varnish or thinner. c) If the motor stops running and has a bad odor after a moment of operation, the motor wires may be burnout. Please replace motor d) If the starting wire (yellow) is disengaged from the condenser, it needs to be rewired e) If the condenser is damaged, please replace with a new one.	"+" type screwdriver
Machine vibration	a) If the motor were not firmly screwed, tighten the screw up. b) If the vane is damaged or unbalanced, replace with a new one.	"+" type screwdriver
Weak suction	a) The distance is too far between the cooker hood and hob. b) There are many windows (doors) causes strong wind convection. c) If due to the position of cooker hood install upon the window, you may put a three-ply board on the back of the cooker hood to cover the spaces.	"+" type screwdriver "+"
Tilting hood	a) Adjust the height of the model where it is hung on the ceiling. b) If the model tilt forward, lock the wall with wood screw again (the screw peep out around 0.5~1 cm from the wall), or check the screw that fixing the model are loose or not.	"+" type screwdriver
Lamp does not light-up	Take the screw off from the lamp shade and replace with a new light bulb, then fix the lamp shade back.	"+" type screwdriver

PRODUCT PARTS DIAGRAM

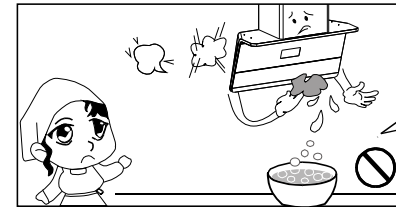


INSTALLATION REQUIREMENT

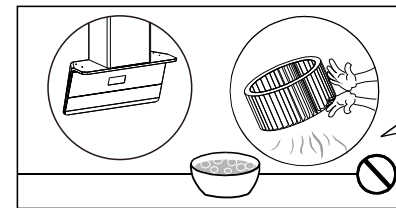
1. Do not install the cooker hood where there are many doors or windows in order to avoid affecting the exhaust efficiency of the hood caused by air convection. (refer Fig. 1)
2. Install the cooker hood right above the hob. The recommended distance between the hob and the lower edge of the cooker hood is minimum 280 mm and maximum 350mm. (Fig. 2)
3. In order to get the optimum performance, do not elongate the exhaust pipe too long, avoid over-bending of exhaust. Ensure the connection is airtight. (Fig. 3)
4. After hanging the unit on the wall, ensure the hood' level is vertically straight. (Fig. 4)
5. The air outlet must not be connected to chimney flues or combustion gas ducts. The air outlet must be under no circumstances, be connected to ventilation ducts in which fuel-burning appliances are installed.



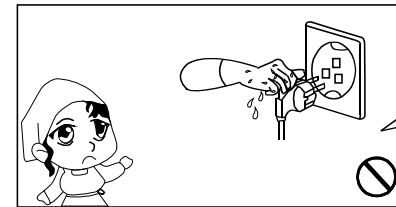
Dress the protective glove before you start to clean the hood. Remove the components gently during carrying out the clearance.



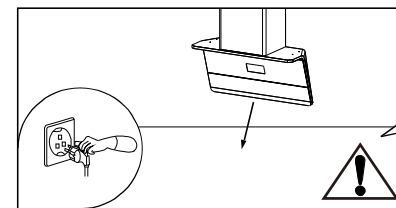
Never wash the control switch with water or other kind of liquid for the liquid might cause electrical problem to the hood.



To clean the motor fan should be undertaken by a qualified person, pay top attention to avoid any distortion of the fan during carrying out the clearance.



Never pull the plug out of the power supply by wet hand to avoid the possibility of electric shock.

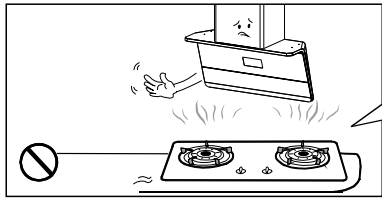


Disconnect the cooker hood from the power supply if this appliance will not be used for a long time.

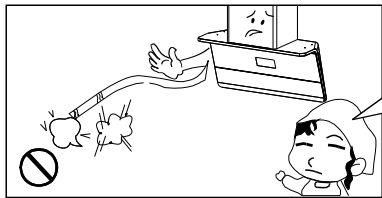
IMPORTANT SAFETY INSTRUCTIONS:



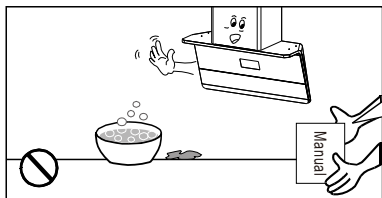
Do not connect the air outlet to chimney flues or combustion gas ducts.



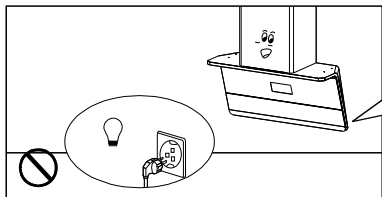
Do not leave naked flames under this hood.



In case of any damage to power cable, replace the broken cable with a new one by qualified person.



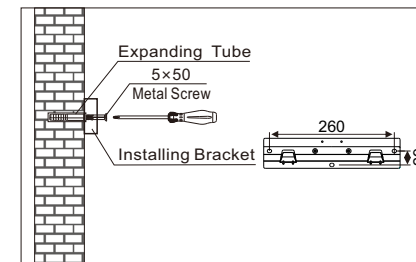
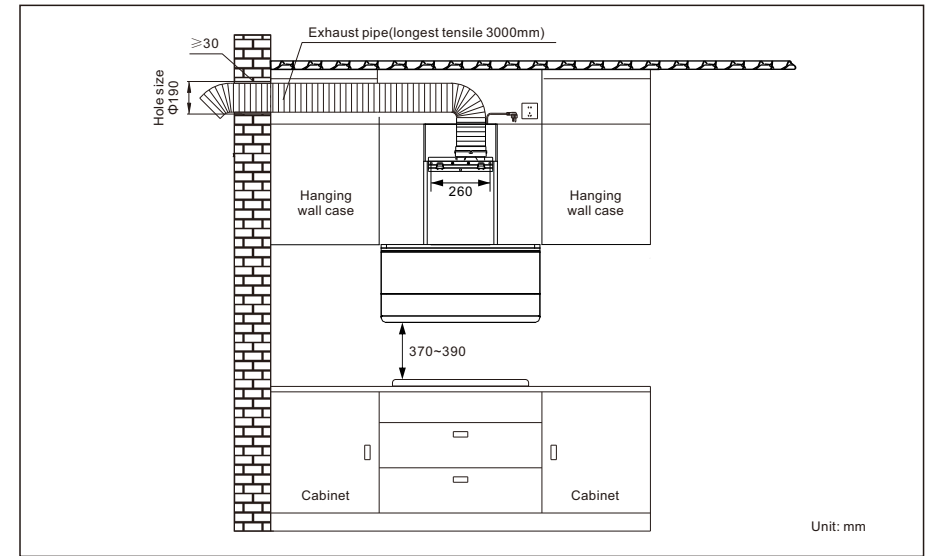
Do clean the hood correctly in accordance with instruction stated or it might cause the possibility of fire accident.



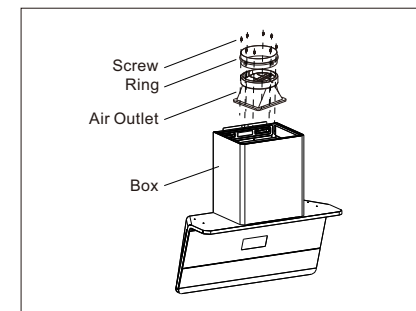
To replace the bulb should be undertaken by a qualified electrician or a competent person. Always use the bulb no more than rating.

INSTALLATION PROCEDURES

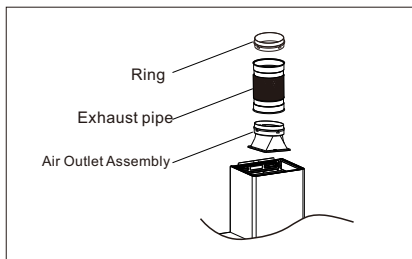
please carefully read the following diagram before installation, and install in accordance with the steps to ensure the smooth installation of the product.



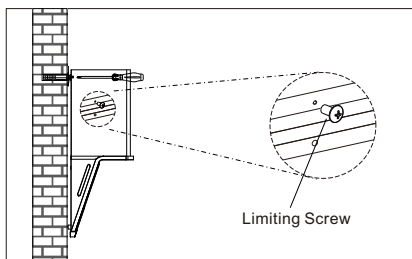
According to the dimension of installing bracket, on the walls in the corresponding position to accurately determine the position of an installing hole, use a $\Phi 10$ impact drilling out the mounting holes, and firmly buried expanding tube, then use the M5x50 wood screws fastening the installing bracket to the wall.



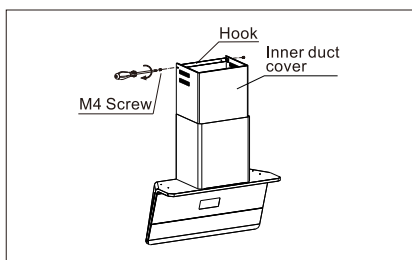
Remove the pan head screw with the air outlet cross slot at the top of the box, and then fix the hole position of the outlet component, and fasten the outlet component on the box with the removed screw respectively.



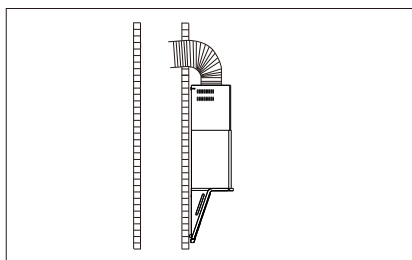
Embed the clasp on the outlet joint with a step at one end, then align the clasp on the outlet and press the clasp to the bottom.



Pick the cooker hood up, the hanging hole at the back of the box assembly is aligned with the hanger on the installing bracket, and the limiting screw in the accessory bag is fixed on the hole of the installing bracket to prevent the accidental fall of the hood.



Pull the inner duct cover to a suitable height and secure the inner duct cover from the side to the installation bracket with the cross screwdriver.



If you need connect the common flue, please do not put the exhaust pipe too deeply, so as to not affect the effect.

MAINTENANCE

CAUTION: NEVER PUT YOUR HAND INTO THE AREA WHILE THE FAN IS OPERATING. TO GAIN OPTIMAL LEVEL OF HOOD PERFORMANCE, CLEAN THE COOKER HOOD SURFACE, FAN AND OIL FILTER REGULARLY.

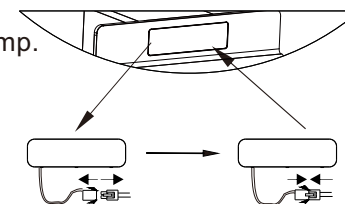
1. Use only mild soap or detergent solutions to clean the cooker hood surface.
 2. Clean the filter depending to usage or at least once a week. Press the buckle of the filter slightly, take off the filter and put it into warm soapy water using mild detergent, lightly brush the filter with soft brush. Place the filter back after it is dry.
 3. Clean the fan motor and others internal parts twice a year or depending to usage by QUALIFIED PERSONNEL.
 4. DO NOT clean the motor with water or other liquid.
 5. the appliance is not to be used by persons (including children) with reduced physical, sensory or mental capabilities, or lack of experience and knowledge, unless they have been given supervision or instruction.
 6. children being supervised not to play with the appliance.
 7. there shall be adequate ventilation of the room when the range hood is used at the same time as appliances burning gas or other fuels.
- CAUTION:** Accessible parts may become hot when used with cooking appliances.
8. The air must not be discharged into a flue that is used for exhausting fumes from appliances burning gas or other fuels.
 9. Regulations concerning the discharge of air have to be fulfilled.
 10. The range hood is only intended to be installed over a hob with no more than four hob elements.

TO REPLACE LED LAMP

CAUTION: The lamp may be hot! Wait until unit is cool. If the lamps malfunction, please replace it with a new lamp. Make sure all the control is switches off and the cooker hood is unplugged!

Please follow below instructions:

1. Switch the unit off and unplug the appliance.
2. Gently pry out the light fixture with a flathead screwdriver or a small knife, then pull out the connector. The light fixture can be removed.
(Note: Do not use excessive force when disassembling the light fixture to prevent breakage.)
3. Replace with the same type and rated bulb/lamp.

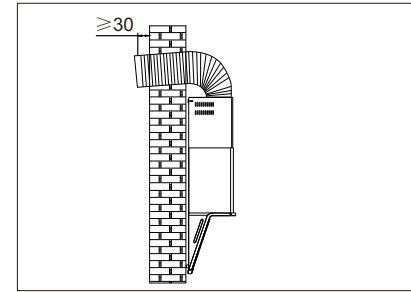


and minutes can be selected from 0 to 59). After the hour setting is done, press the light key again to switch to the minute setting (the minute display position will flash). After the setting is completed, press the light button again to save the time setting and exit the time setting state or wait for 5 seconds without any operation, and the time setting will be automatically saved and the time setting state will be exited. (The function starts by adjusting from the Fan Speed button to the light button. It can be activated in standby mode.)

- (1) When the machine is powered on, if you wave your hand from left to right, the entire machine will enter the smoke stove linkage mode. The power button, IQ-Sync (intelligent auto mode) button, and light button will light up, the smoke machine lighting will be activated, and the fan will start running. If you wave your hand again, the IQ-Sync (intelligent auto mode) button will go off, and the air volume button will light up. The fan will then enter the F2 mode for operation; if you wave your hand again, the air volume button will go off, and the IQ-Sync (intelligent auto mode) button will light up, and the fan will enter the FF mode for operation; the sequence of smoke stove linkage mode - F2 - FF - smoke stove linkage mode will repeat.
- (2) When the fan is running at any speed, if you wave your hand from right to left, it will first switch to a delay shutdown mode that lasts for 3 minutes. If you wave your hand from right to left again within 3 minutes, it will directly shut down. If the lighting is on, it will be turned off together.
- (3) Gesture function on/off: The default gesture function is enabled at factory. In standby mode, press and hold the power button for 3 seconds to turn off or on the gesture function.

Cleaning mode:

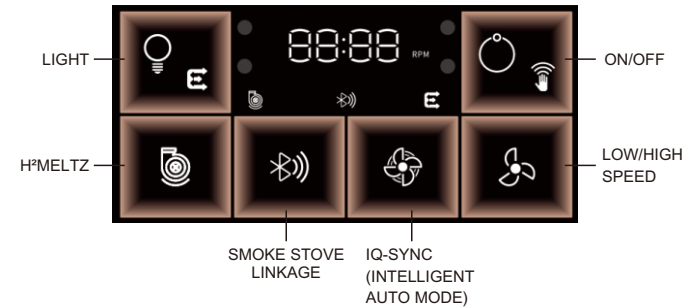
In the standby mode, simultaneously press the fan speed button and the IQ-Sync (intelligent auto mode) button for 5 seconds; a "DING DONG" sound will be heard once. Both the fan speed button and the IQ-Sync (intelligent auto mode) button will light up, the flip plate will open and enter the cleaning mode. All other buttons will go out and be ineffective. In this state, you can remove the glass components, clean the inner cavity and the back of the flip plate, etc. for cleaning work. Then, simultaneously press the fan speed button and the IQ-Sync (intelligent auto mode) button for another 5 seconds. A "DING DONG" sound will be heard again, restoring the original state.



If you connect the exhaust pipe to outdoor, please push it out of the wall at least 30, the air outlet should be slightly adown, to avoid rain water intrusion.

Installation confirmation: after installation, check the hood whether it is solid, turn the power on and test it, examin the function whether it is normal and whether there is abnormal vibration of the body, after confirmation, can be used.

OPERATING INSTRUCTIONS



- (1) When the device is powered on, touch the power button to enter the standby mode; touch this button again to return to the powered-on state.
- (2) Delayed Shutdown Function: When the fan is running, touch the power button. The smoke machine will enter a 3 minute delayed shutdown state. The fan will continue to operate in its original state. When the countdown ends, the fan will stop running, the lighting will go out, and the smoke machine will enter an energized state. During the delayed shutdown countdown process, if you touch the power button again, the smoke machine will directly enter the energized state (including lighting).
- Gear shifting function: In standby mode, touch this key to make the motor run in F1 mode, and the indicator light of this key will flash; touch it again to make the motor run in F2 mode, and the indicator light of this key will remain on. This cycle repeats.



(1) When the device is in standby mode or the fan is on, touch this button. The indicator light of this button will turn on completely, and at the same time, the smoke sensor icon in the digital display will light up. The screen will display "AU" for 3 seconds, then display the rotational speed.

(2) The AI smoke sensor adjusts the wind speed, and at the same time, it cooperates with the cruise boost logic. It adjusts the rotational speed in real time according to the resistance of the smoke duct to ensure the constant output of the fan's working air volume.

(3) Press and hold the IQ-Sync (intelligent auto mode) button for 3 seconds to directly enter the stir-frying mode (operate at the maximum speed for 3 minutes). After showing "FF", a 3-minute countdown will be displayed. After 3 minutes, it will automatically return to the original speed setting by default. Within 3 minutes, press the wind speed button or the IQ-Sync (intelligent auto mode) button to exit the stir-frying mode, and the fan will operate at the corresponding speed setting.

Note: In any gear position running state of the stir-frying mode, pressing the IQ-Sync (intelligent auto mode) button for 3 seconds can start the operation.

(1) The range hood is set to default to disable the smoke stove linkage function. When in standby mode, press and hold this button for 3 seconds. The indicator light of this button will flash, and at the same time, the corresponding status indicator light on the black screen will also flash, entering the connection waiting state. Within 15 seconds, rotate the stove knob to start the binding process. If the binding is successful, the indicator light and status indicator light of this button will remain on continuously. Otherwise, the indicator lights will go out.



(2) In the binding state, press and hold this button for another 3 seconds. The indicator light and status indicator light of this button will flash for 3 seconds and then go out. The smoke stove linkage will be unbound. (When unbinding, please do not rotate the stove knob.)

(1) When the power is on, touch this key. The indicator light of this key will remain constantly on, and at the same time, the corresponding status indicator light on the black screen will also remain on. The H²meltz function is activated and starts to work (the heating module operates for 10 minutes and then the fan at speed F2 operates for 1 minute). After the cleaning is completed, the range hood automatically enters the shutdown state. During the operation of the H²meltz function, you can turn off the H²meltz function by pressing the H²meltz key or the power key (excluding the lighting). After turning off the H²meltz function, it will enter the power-on state (including lighting).



(2) H²meltz reminder function: a) When the fan operates at any speed for a cumulative total of 60 hours, the icon of the H²meltz button will keep flashing, reminding the user to perform oil removal until the user confirms that the oil removal is completed. After that, the timer will be reset automatically and restarted from zero; b) After the user completes the oil removal, in the standby state, long press the H²meltz button for 3 seconds. After the H²meltz button icon flashes 3 times, the timer will automatically reset (indicating that the oil removal has been completed).

Note: When entering the H²meltz function, all other function keys are locked and the operation is invalid (except for the power button, the H²meltz button, and the light button).



(1) In any state, when this button is touched, the indicator light and the ambient light will turn on, and the lighting and ambient lights will be activated. If this button is touched again, the indicator light will go off, and the lighting and ambient lights will be turned off. The light button can be controlled independently.

(2) Three-lamp control program:





1. Connect the power supply, and all the power buttons will light up.
2. Press the power button but the flip panel does not open. The stove enters the standby mode. Except for the full power button lighting up, other buttons do not light up. Press the light button (in the powered on / pressing the power button state), the external light will turn on/off; the internal light does not operate.
3. Press the wind speed button (decrease/ increase/ stir-fry) and the flip panel opens. The fan starts working. At this time, if the lights are on, the system will automatically switch to the internal light being on and the lighting light being off, and the atmosphere light does not go off. When the flip panel is open, the light button only affects the internal light; after the flip panel is closed, the external light and lighting work will be automatically switched according to the bright button state.

Note: The atmosphere light can be controlled to be turned on or off separately.

Explanation:

a) Turn off the atmosphere light: In the powered on state, continuously press the bright button and the H²meltz button for 3 seconds, the indicator light flashes twice, and at the same time, the buzzer emits a ding-dong sound. At this time, the atmosphere light is turned off. The lighting light can still be controlled to be turned on or off separately.

b) Turn on the atmosphere light: In the powered on state, continuously press the bright button and the H²meltz button for 3 seconds, the indicator light flashes twice, and at the same time, the buzzer emits a "DING DONG" sound. At this time, the atmosphere light is turned on.

(3) Air exchange Function: The Air exchange Function is not enabled by default. To enable it, when the device is powered on, press the bright button for 3 seconds continuously. The corresponding status indicator lights  and  on the black screen will light up and flash; to disable it, press the bright button for 3 seconds again while the device is powered on, and the corresponding status indicator lights  and  on the black screen will go out. The cancellation and restoration can be repeated as needed.

(4) The smoke machine enters the Air exchange Function mode; once the motor stops operating (excluding the operation in the H²meltz state), after 5 minutes, the motor will automatically switch to high-speed mode for 5 minutes, then stop for 15 minutes; subsequently, it will continue to execute 2 cycles (a total of 3 cycles, each cycle working for 5 minutes and stopping for 15 minutes) before officially entering the motor's constant-off state.

(5) When in standby mode, press the light button for 3 seconds. The indicator light of the light button will remain on continuously, while the indicator lights of the smoke stove linkage button and the IQ-Sync (intelligent auto mode) button will flash. (The indicator lights of all other keys will be on). At the same time, the hour display position will flash, indicating that it has entered the time setting state. The default setting is for hour. (Each time you press the IQ-Sync (intelligent auto mode) button, the time increases by 1 unit, and each time you press the smoke stove linkagebutton, the time decreases by 1 unit (hours can be selected from 0 to 23,