

Customer Care

Exact Quality Sdn. Bhd.
Contact: **03-6286 9000**
Website: <http://www.e-quality.com.my/>

OPERATION HOURS
08:30am - 06:00pm
(Monday - Friday, except public holiday)

Our Warranty

6yrs
Warranty

FOR HOOD MOTOR ONLY

18mths
Warranty

FOR ALL PARTS
(EXCLUDING ACCESSORIES)

1 yr
Warranty
Extension

**1-year
Warranty
Extensions
When Register
Online!**

Online Registration

1. Log on to www.rubine.com.my
2. Click on 'Support', followed by 'Products Warranty Registration' to proceed. You're required to sign up as a member.
3. Please fill up the necessary information, tick on the checkbox and click 'Next'.
4. You'll receive a notification of warranty registration confirmation via email.
5. Your warranty will be automatically extended for another 1 year upon registration online. Please keep your online warranty certificate for reference.

rubine.com.my

RubineTM
I T A L I A

REDEFINE THE WAY OF LIFE



USER MANUAL

MODEL

RCH-CASSERA-90BL

SERIAL NO.

COOKER HOOD



FIAMMA TRADING SDN BHD 330476-P (A member of Fiamma Holdings Berhad)
9-2, Wisma Fiamma, No.20, Jalan 7A/62A, Bandar Manjalara, 52200 Kuala Lumpur. Tel: 03-6279 8943

WARRANTY CARD

WARRANTY CONDITIONS

Subject to following Term & Conditions, this equipment is guaranteed against defective material & manufacturing defects by Fiamma Trading Sdn Bhd for a period of twelve (12) months from the date of original purchase. Fiamma Trading Sdn Bhd reserves the right to change these terms & conditions without prior notice.

Terms & Conditions:-

- 1) This warranty is valid & provided that warranty card is completed with authorized dealer's stamp from the date of original purchase and in the territory of Malaysia only.
- 2) This warranty covers repair or, at the option of Fiamma Trading Sdn Bhd, replacement of any parts proven to be defective due to defective workmanship or material provided that the product was purchased from an authorized dealer of Fiamma Trading Sdn Bhd.
- 3) This warranty does not cover the damage resulting from:
 - (a) Any unauthorized disassembly, service repair, alteration or modification being carried out.
 - (b) Abnormal voltage or the use of generator and/or used not in accordance with the Operating Manual / User Manual.
 - (c) Misuse, abuse, negligence or accident howsoever caused.
 - (d) Normal wear or tear.
 - (e) Rough handling & transportation.
 - (f) Commercial / public use e.g. hotel, laundry, college, university, etc.
- 4) This warranty does not cover the following accessories:
 - (a) Burner Caps/Supports (b) Cast Iron Grib (c) Knobs (d) Body Work (e) Light Bulb (f) Charcoal / Filter (g) Cover (h) Glass Cover / Screen (i) Trays/Shelves (j) Hose
- 5) This warranty is considered null & void in the events if:
 - (a) Any item contained in this warranty card has been tempered with or altered in any way without the prior written consent of Fiamma Trading Sdn Bhd. Request for warranty services within the warranty period must be accompanied with this warranty card & proof of original purchase.
 - (b) Any time during the warranty period, any part / parts of this equipment is / are removed, altered, tempered with, adjusted, modified, dismantled, repaired or handled in any way whatsoever by any person / persons not authorized by us.
 - (c) The serial number of the product has been defaced or removed.
- 6) Warranty for WINE CHILLER compressor is (5) five years, gas refill and labor charges are excluded.
- 7) In the event of defects covered by this warranty arising during the warranty period, the purchaser shall be fully responsible for the due delivery to our dedicated service centre of the equipment (expect for the refrigerator, washing machine, ovens, cooker hood, gas cooker, dishwasher, dryer, built-in hob, freezer, water heater) for any work which shall need to be done pursuant to this warranty & subsequent collection thereof of the equipment after the said work has been done.
- 8) This warranty is in lieu of any, and all other warranties expressed or implied warranty of merchantability or fitness for a particular purpose. Fiamma Trading Sdn Bhd assumes no liability for the breach of the warranty beyond correcting the breath in the manner described above. In no event shall Fiamma Trading Sdn Bhd be liable for consequential losses or damages, including loss of use or loss of profits resulting from the product.

FOR OFFICE USE

Model Name

Serial No
Barcode :

Customer's Name (In Block/Full Name)

Date of Purchase : DAY MTH YR

Customer's Address (Full Address) :

PostCode : State :

Customer's Tel No : (H) - (O) -

Customer's Email : (H/P)

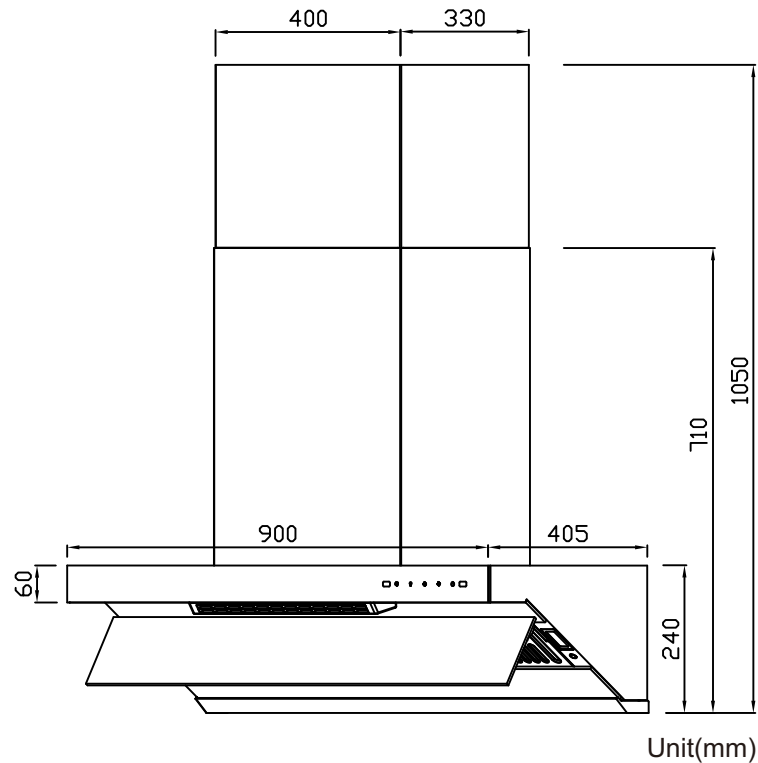
Authorised dealer's stamp

Fiamma Trading Sdn. Bhd.

Customer Signature

PRODUCT DIMENSION

RCH-CASSERA-90BL



NOTICE

This product must not be disposed together with domestic waste. It has to be disposed at an authorized place for recycling of electrical and electronic appliances. By collecting and recycling waste, you help to save natural resources and make sure the product is disposed in an environmental friendly and healthy way.



Please read this instruction carefully. It is advisable to keep this instruction manual in a safe place for future reference.

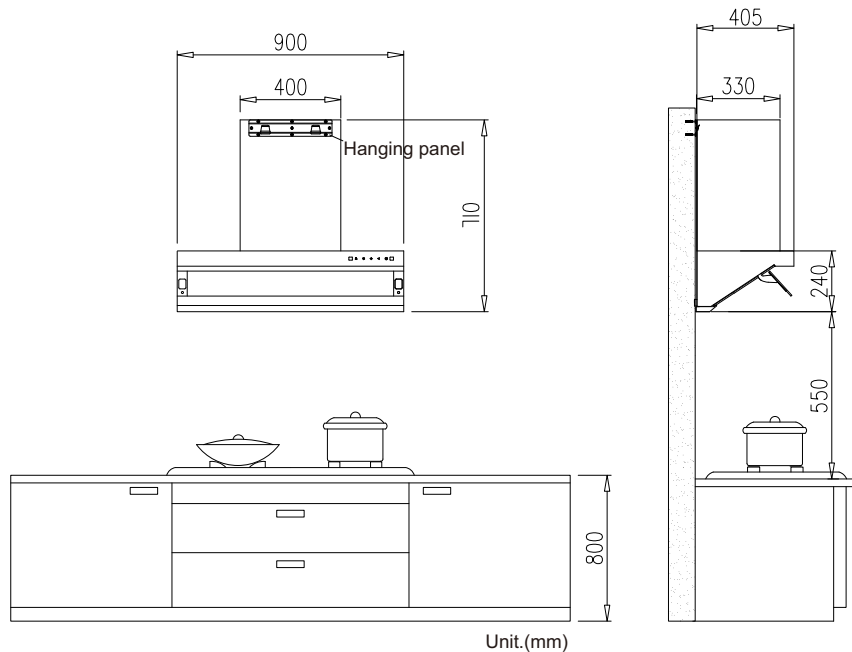
SAFETY PRECAUTIONS

1. Keep electrical appliances out of reach from children. Do not let them to operate the appliances without supervision.
2. To protect against the risk of electrical shock, do not immerse the product, power cord or plug into water or any other liquid.
3. This product is for household and indoor use only.
4. This product is not intended for use by person (including children) with reduced physical, sensory or mental capabilities unless they have been given supervision or instruction concerning use of the appliance by a person responsible for their safety.
5. If the power cord or plug is damaged, it must be replaced by the service centre or a qualified service technician to avoid hazard.
6. Before installation, check if the mains supply voltage is matched with the voltage stated on the rating plate of the cooker hood.
7. There must be adequate air ventilation of the room when the cooker hood is used with the cooking appliances with burning gas or other fuels.
8. Ensure that the installation of exhaust complies with the standard of local building, gas and electrical authorities.
9. Do not ignite flames in the pans.
10. There is a risk of fire if cleaning is not carried out in accordance with this instruction.

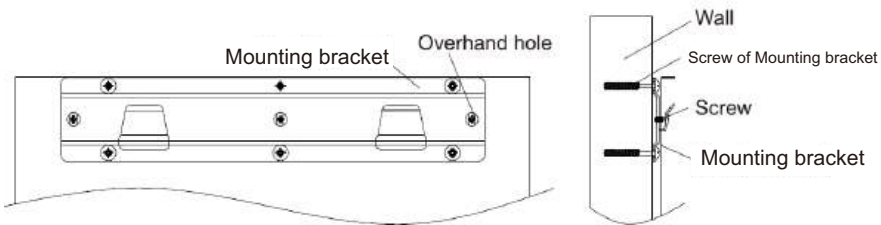
ASSEMBLY INSTRUCTIONS

Please check the following before installation:

- Installation of cooker hood must be carried out by an authorized or qualified technician.
- Remove all packaging materials from the cooker hood. Check and make sure that the cooker hood is not damaged.
- Please ensure the power supply has switched OFF when installing the cooker hood.
- For optimum air extraction, avoid having too many windows surrounding the cooker hood which will cause air convection.
- The optimum height for the installation is between 650 to 750mm which is measured from the bottom of the cooker hood to the top of the hob.
- Make sure the hood is in level after installation to avoid oil spill over from the oil cup.



- Before installing, determine the height between the bottoms of the cooker hood to the top of the hob. Mark on the wall to suit the bracket locations.
- Drill holes with diameter of $\varnothing 8$ mm. Insert the screw anchors into the holes. Fix the mounting bracket and tighten the screws.



- Hang the cooker hood on the mounting bracket and make sure the cooker hood is in level.
- Fix the exhaust ducting on the cooker hood. Install the oil cup on the cooker hood.

- Clean the filter and oil cup with household cleaning detergent to ensure the filters are free from dirt (clean the filter once every month).
- After cleaning, install back the oil cup and filter to its original position and tighten the screw on the left and right side to fix on the filter.
- Pull the glass panel from left to right with both hands to install the glass panel.

TROUBLESHOOTING

Malfunctions	Possible Root Cause	Checking
Weak Suction	The distance is too far between the cooker hood and cooking appliance	Lower down the cooker hood installation height but within the safety guideline
	Strong convection due to too much ventilation	Shut off some of the windows or doors
Cooker hood and light not function	The power supply is not connected	Check if the plug is well connected and the power is on
	Power cord is damaged	Contact technicians for repair
Motor functions but light not works	Light bulb is damaged	Contact technicians to replace a new light bulb
Light works but motor not function	The bearing may be damaged	Contact technicians for repair
	The internal wires or motor capacitor may be burnout	
Vibration on the cooker hood	The screw is loosen	Tighten the screws
The cooker hood is noisy	Exhaust pipe surface is distorted	Contact technicians to reinstall the exhaust pipe

MAIN SPECIFICATION

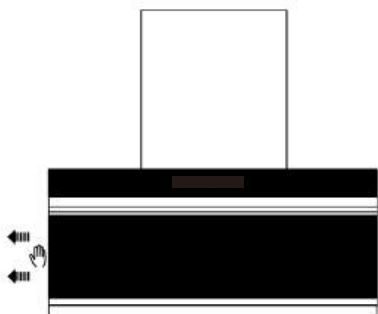
Rated Voltage	: 220-240V/ ~ 50Hz
LED Light	: 1.5W x 2
Rated Power	: 306W
Product Dimension	: 900mm (W) x (710-1050)mm (H) x 405mm (D)

CLEANING AND MAINTENANCE

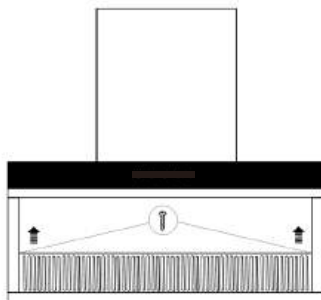
- The cooker hood must always be disconnected from the electricity supply before carrying out any maintenance.
- Clean the cooker hood with damp cloth, hot water and mild detergent. Do not use chemical, steel, wooden or abrasive cleaners to clean the cooker hood.
- Remove the oil cup in horizontal direction, wash in hot soapy water, dry and fit back into the cooker hood. Do not use the cooker hood without the oil cup installed.
- Avoid spilling water into the motor and electronic component.

CLEANING THE INNER PART

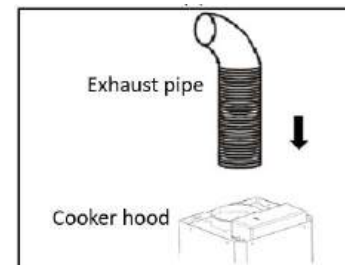
- Disconnect the power supply. Gently push and slide the glass panel from the right to left direction with both hands to remove the glass panel.



- Remove the oil cup at the bottom and loosen the screws on the left and right side to release the stainless steel filter. Push the stainless steel filter upward with both hands to take down the filter slowly.



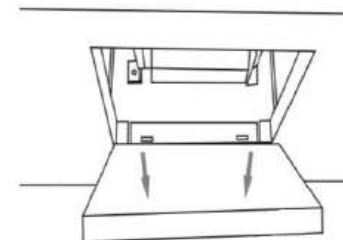
6



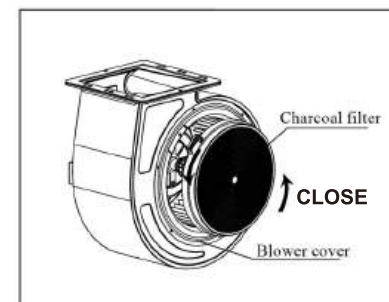
- Install the exhaust cover to the height required.
- Pull the upper exhaust cover upwards then install the fixing bracket to fix the exhaust cover position.
- Before connecting to the mains supply, ensure that the mains voltage corresponds to the voltage on the rating plate of the cooker hood.

INSTALL THE CHARCOAL FILTER

- Disconnect the power supply. Remove the stainless steel filter which locate nearby the LED lamp by loosen the screw. (Please do not open while the cooker hood is operate or connecting the power supply).

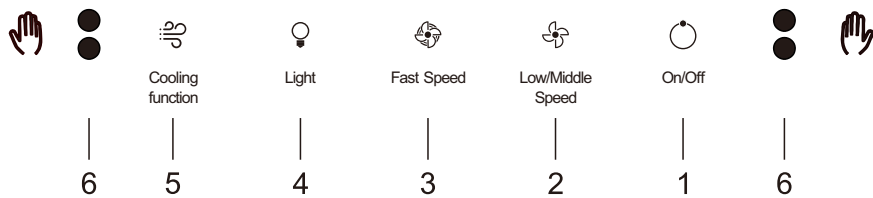


- Install the charcoal filter and lock the position by turning anti-clockwise direction to tighten.
- To remove the charcoal filter, turn clockwise direction to loosen.



3

PRODUCT DESCRIPTIONS



After the power is turned on, all the indicator lights are displayed. After about 1 seconds, the indicator lights are off, then the system enters the somatosensory standby state.

Instructions:

- On / off key:** When this key is touched in the off state, entering the standby state and waiting for other key operations; When you touch this key again, it returns to the off state. Time-delay function: when the motor is running, touch this key to enter a 1-minute time-delay shutdown state, the indicator light flashes during the delay. In the off state, long press this key for 2 seconds to turn off the somatosensory function; long press again for 2 seconds to turn on the somatosensory function.
- Low/Middle speed key:** Press this button when in the standby state, then the button will light up while the fan will enter the slow running state. Press the button once again, the fan enters a medium-speed running state. Press the button repeatedly to stop the fan and return to the standby state.
- Fast speed key:** Touch this key in standby state, the key lights up, and the fan enters the fast running state. Touch the key again to return to the standby state, and the fan stops running.
- Light key:** In any state, touch this key to turn on the light. When you touch this key again, the light will turn off. (The lamp is controlled independently, it can be turned off by manual shutdown)
- Cooling function/Heat Cleaning key:** In any state, touch this key to turn on the Cooling function. Press and hold this key for 2 seconds in the shutdown state to enter the oil removal function.
- Gesture motion sensor:** Wave your hand from left to right to turn on the cooker hood. The cooker hood will start to operate with high fan speed and LED light will turn on. Wave your hand from right to left to turn off the cooker hood. The cooker hood will stop operate and turn off immediately.
(Tips: When using a somatosensory switch, please align your palm with the left and right sensing area! The ideally gesture motion speed from left to right or right to left shall within two seconds! The ideally distance of gesture motion from control panel is from 5 - 10CM!)

OPERATING INSTRUCTIONS

- Press the button and press the button to operate the cooker hood in low fan speed. Press the button to operate the cooker hood at medium fan speed. Press the button to operate the cooker hood at high fan speed.
- When the motor is running in low, medium or high fan speed, press button to schedule one minute delay timer to turn off the cooker hood. Cooker hood will be turned off after one minute. Press button again when the cooker hood is in delay off timer to turn off timer.
- Press the button to turn on the LED lamp. Press again to turn off. (This function does not relate to the cooker hood motor).

NOTE: When the cooker hood is operating, do not perform any of the maintenance or service the cooker hood. Avoid touching the inside of the cooker hood to avoid hazard.

HEAT CLEANING FUNCTION

- Press and hold the button for 2 seconds to activate the heat cleaning function.
- The cooker hood will operate the heat cleaning function for 15 minutes.
- The indicator light will keep blinking, heat cleaning process will start and run for 14 minutes. After that cooker hood will stop for the heating function and operate for final cool down.
- The final cool down process will operate for 1 minute and updraft area will open. The cooker hood will be running in high fan speed for final cool down process and turn off the cooker hood upon completed.
- Press and hold the button until deactivate the heat cleaning function or press the button to deactivate this function.

NOTE: During the heat cleaning process, only LED Light/Heat Cleaning button and ON/OFF button can be functional.