

Customer Care

AFTER-SALES SERVICE:

Exact Quality Sdn. Bhd.

Hotline: **03-6286-9000**

Email: **eqservice@fiamma.com.my**

OPERATION HOURS

08:30am - 06:00pm

(Monday - Friday, except public holiday)

Our Warranty



FOR ALL PRODUCTS
(EXCLUDING ACCESSORIES)



FOR HOOD MOTOR ONLY



**6-months
Warranty
Extensions
When Register
Online!**

Online Registration

1. Log on to www.rubine.com.my
2. Click on 'Support', followed by 'Products Warranty Registration' to proceed. You're required to sign up as a member.
3. Please fill up the necessary information, tick on the checkbox and click 'Next'.
4. You'll receive a notification of warranty registration confirmation via email.
5. Your warranty will be automatically extended for another 6 months upon registration online. Please keep your online warranty certificate for reference.

rubine.com.my

Rubine™

I T A L I A

LEAD THE CHANGE



USER MANUAL

MODEL

RCH-MARK-90BL

SERIAL NO.

COOKER HOOD



FIAMMA TRADING SDN BHD 330476-P (A member of Fiamma Holdings Berhad)

9-2, Wisma Fiamma, No.20, Jalan 7A/62A, Bandar Manjalara, 52200 Kuala Lumpur. Tel: 03-6279 8943

TROUBLESHOOTINGS

CAUTION: Disconnect the power supply before servicing.

STATUS	CAUSE & METHOD OF REPAIRING	TOOL
Damaged of power supply	If the power supply is damaged, please call technician to repair.	"+" type screwdriver sharp pincers
The lamp works but the motor does not run	a) Take off the filter and check the connection between air inlet and wind chamber whether it is sealed or not. b) Check the connection between air exhaust pipe and wind chamber whether there is leakage of oil or not. If YES, please fill it up with the varnish or thinner. c) If the motor stops running and has a bad odor after a moment of operation, the motor wires may be burnout. Please replace motor d) If the starting wire (yellow) is disengaged from the condenser, it needs to be rewired e) If the condenser is damaged, please replace with a new one.	"+" type screwdriver
Machine vibration	a) If the motor were not firmly screwed, tighten the screw up. b) If the vane is damaged or unbalanced, replace with a new one.	"+" type screwdriver
Weak suction	a) The distance is too far between the cooker hood and hob. b) There are many windows (doors) causes strong wind convection. c) If due to the position of cooker hood install upon the window, you may put a three-ply board on the back of the cooker hood to cover the spaces.	"+" type screwdriver "+"
Tilting hood	a) Adjust the height of the model where it is hung on the ceiling. b) If the model tilt forward, lock the wall with wood screw again (the screw peep out around 0.5~1 cm from the wall), or check the screw that fixing the model are loose or not.	"+" type screwdriver
Lamp does not light-up	Take the screw off from the lamp shade and replace with a new light bulb, then fix the lamp shade back.	"+" type screwdriver

Dear valued customer,

Thanks for your purchase of our product.

PLEASE READ & KEEP THIS USER MANUAL

CONTENTS

SPECIFICATIONS	1
PRODUCT DIMENSION	1
PRODUCT PART DIAGRAM	2
INSTALLATION REQUIREMENT	3
INSTALLATION PROCEDURES	4-6
CHARCOAL FILTER INSTALLATION & REPLACEMENT	7
OPERATING INSTRUCTIONS	7
MAINTENANCE	8
TO REPLACE LED LAMP	8
IMPORTANT SAFETY INSTRUCTIONS	9-10
TROUBLESHOOTINGS	11
WARRANTY CARD	12



Please note that this product is marked with this symbol:
According to Waste of Electrical and Electronic Equipment (WEEE) directive, WEEE should separately collect and treat. If in future you need to dispose this product, PLEASE DO NOT dispose it with household waste. Please send it to WEEE collection point.

SPECIFICATIONS

Model Name:RCH-MARK-90BL

Total Power:240W

Motor Power:238W

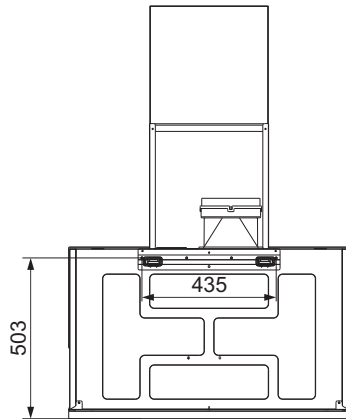
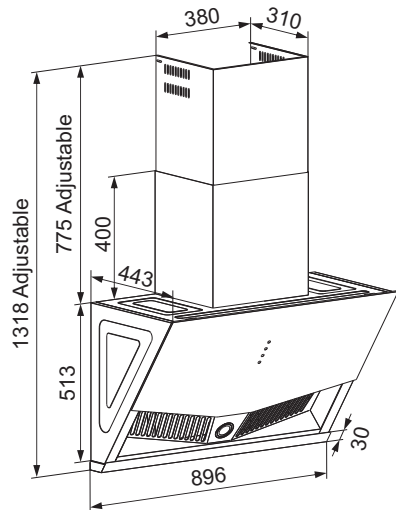
LED Lamp:1×2W

Voltage:220-240V

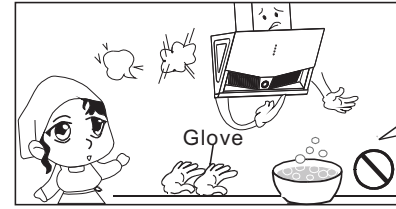
Frequency:50Hz

Control Panel: Sensor Touch Control

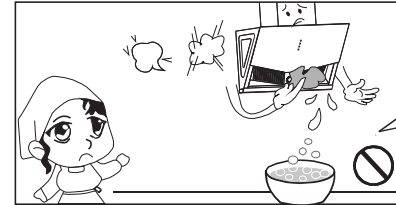
PRODUCT DIMENSION



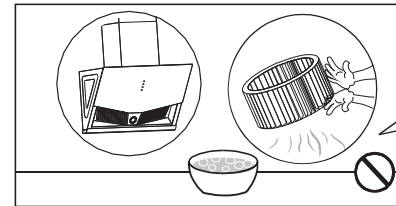
Unit: mm



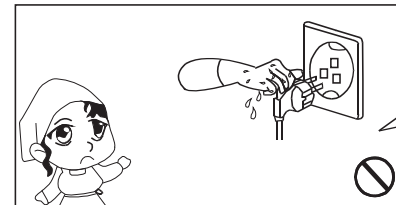
Dress the protective glove before you start to clean the hood. Remove the components gently during carrying out the clearance.



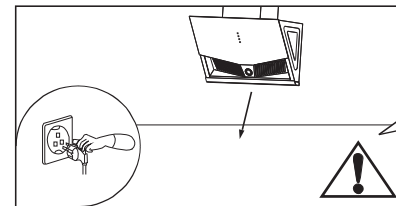
Never wash the control switch with water or other kind of liquid for the liquid might cause electrical problem to the hood.



To clean the motor fan should be undertaken by a qualified person, pay top attention to avoid any distortion of the fan during carrying out the clearance.

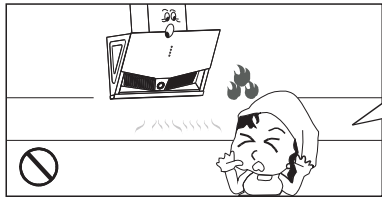


Never pull the plug out of the power supply by wet hand to avoid the possibility of electric shock.

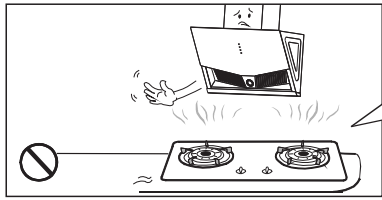


Disconnect the cooker hood from the power supply if this appliance will not be used for a long time.

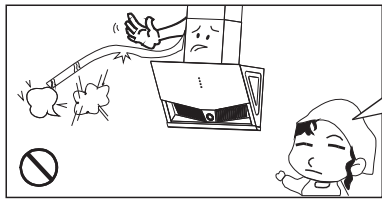
IMPORTANT SAFETY INSTRUCTIONS:



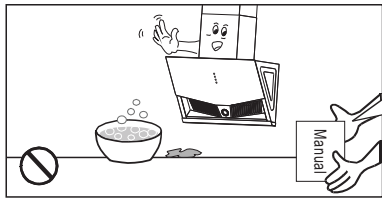
Do not connect the air outlet to chimney flues or combustion gas ducts.



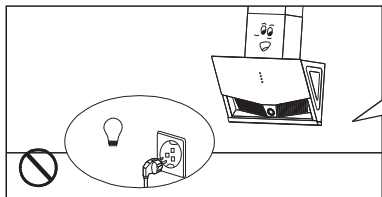
Do not leave naked flames under this hood.



In case of any damage to power cable, replace the broken cable with a new one by qualified person.

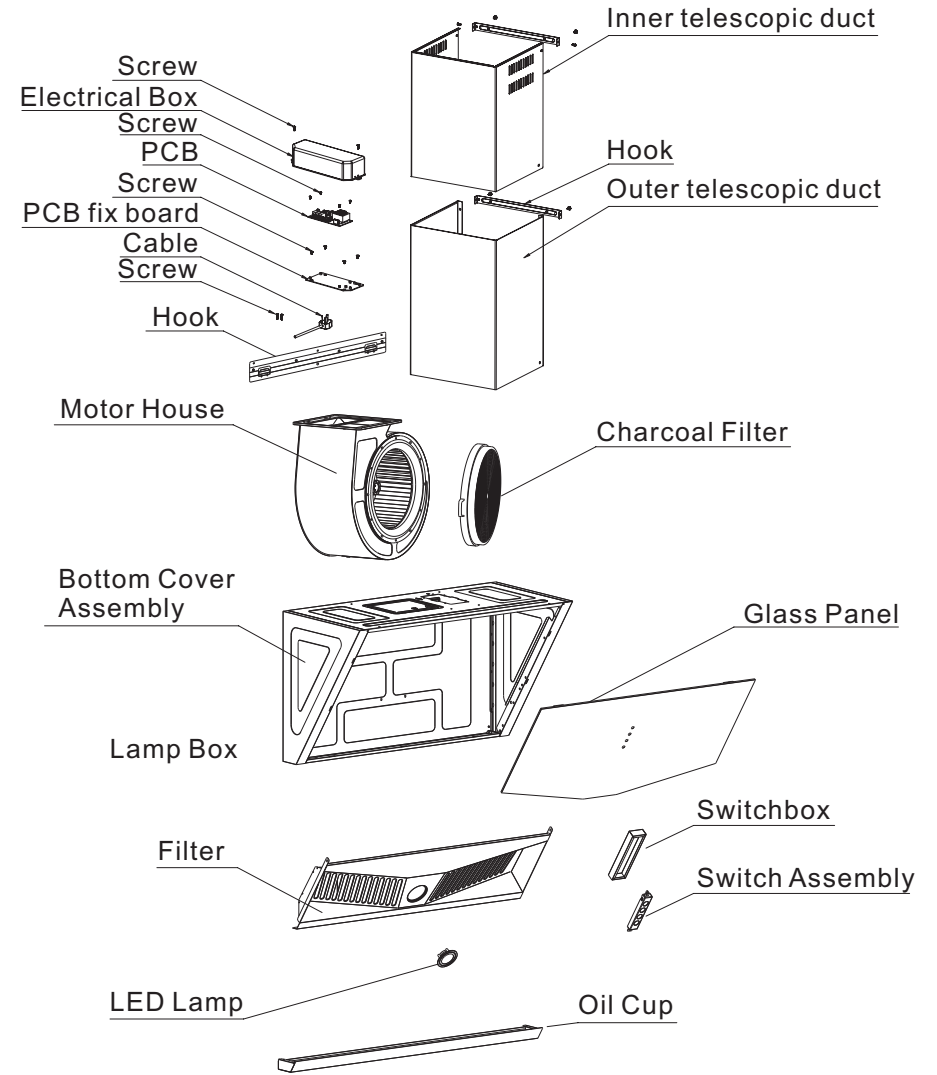


Do clean the hood correctly in accordance with instruction stated or it might cause the possibility of fire accident.



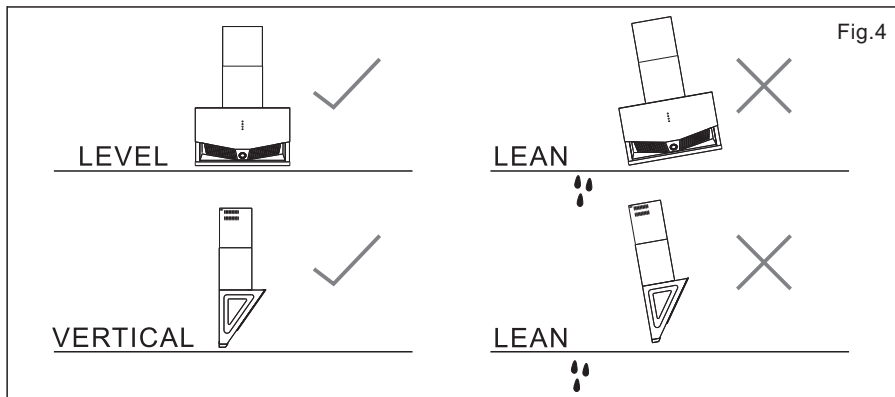
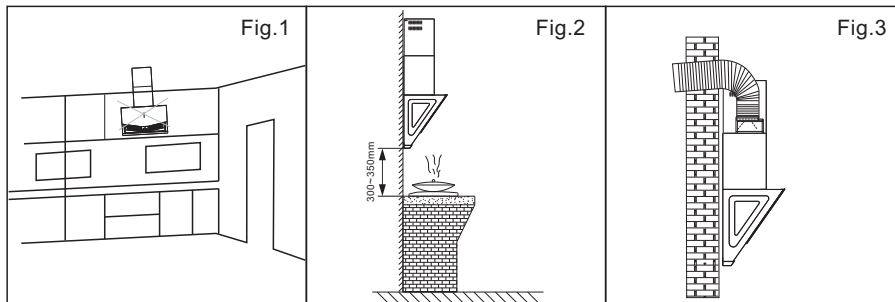
To replace the bulb should be undertaken by a qualified electrician or a competent person. Always use the bulb no more than rating.

PRODUCT PARTS DIAGRAM



INSTALLATION REQUIREMENT

1. Do not install the cooker hood where there are many doors or windows in order to avoid affecting the exhaust efficiency of the hood caused by air convection. (refer Fig. 1)
2. Install the cooker hood right above the hob. The recommended distance between the hob and the lower edge of the cooker hood is minimum 300 mm and maximum 350mm. (Fig. 2)
3. In order to get the optimum performance, do not elongate the exhaust pipe too long, avoid over-bending of exhaust. Ensure the connection is airtight. (Fig. 3)
4. After hanging the unit on the wall, ensure the hood' level is vertically straight. (Fig. 4)
5. The air outlet must not be connected to chimney flues or combustion gas ducts. The air outlet must be under no circumstances, be connected to ventilation ducts in which fuel-burning appliances are installed.



MAINTENANCE

CAUTION: NEVER PUT YOUR HAND INTO THE AREA WHILE THE FAN IS OPERATING. TO GAIN OPTIMAL LEVEL OF HOOD PERFORMANCE, CLEAN THE COOKER HOOD SURFACE, FAN AND OIL FILTER REGULARLY.

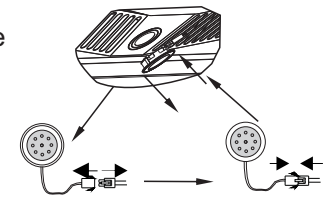
1. Use only mild soap or detergent solutions to clean the cooker hood surface.
2. Clean the filter depending to usage or at least once a week. Press the buckle of the filter slightly, take off the filter and put it into warm soapy water using mild detergent, lightly brush the filter with soft brush. Place the filter back after it is dry.
3. Clean the fan motor and others internal parts twice a year or depending to usage by QUALIFIED PERSONNEL.
4. DO NOT clean the motor with water or other liquid.

TO REPLACE LED LAMP

CAUTION: The lamp may be hot! Wait until unit is cool. If the lamps malfunction, please replace it with a new lamp. Make sure all the control is switches off and the cooker hood is unplugged!

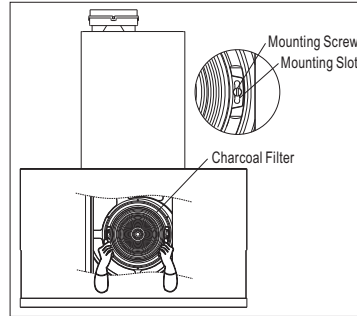
Please follow below instructions:

1. Take out the filters, and cut off the wire connection of the lamp.
2. Press the spring according to the arrow direction, then you can take off the lamp unit.
3. You can replace a new LED lamp unit no more than rating!
4. Then put the lamp unit to the hood in reverse direction. Connect the wire of the lamp.
5. Fit on the filters.

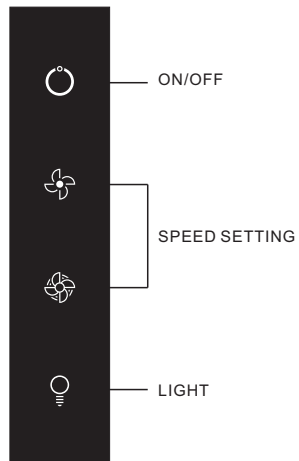



CHARCOAL FILTER INSTALLATION & REPLACEMENT

1. The charcoal filters should be replaced when it is noticeably dirty or discolored, usually after 6 to 12 months depending on the conditions of use.
2. These filters are not washable and cannot be restored. To ensure that this appliance functions effectively, regular maintenance is necessary as clogged filters restrict airflow and may cause the motor to overheat.
3. Removing and inserting the charcoal filter:
Take the baffle filter apart, hold onto the air intakes and turn slightly. Once the charcoal filter turns out of the screw, remove directly.



OPERATING INSTRUCTIONS



 When it is Power-Up state, press this button into standby mode and the indicator lamp flashes; At the motor working state, press this button and the indicator lamp flashes, then the range hood continue to operate 3 min. After the delay, power will be cut off automatically; At the delay state, press this button and the power will be cut off.

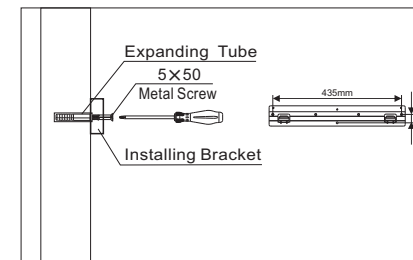
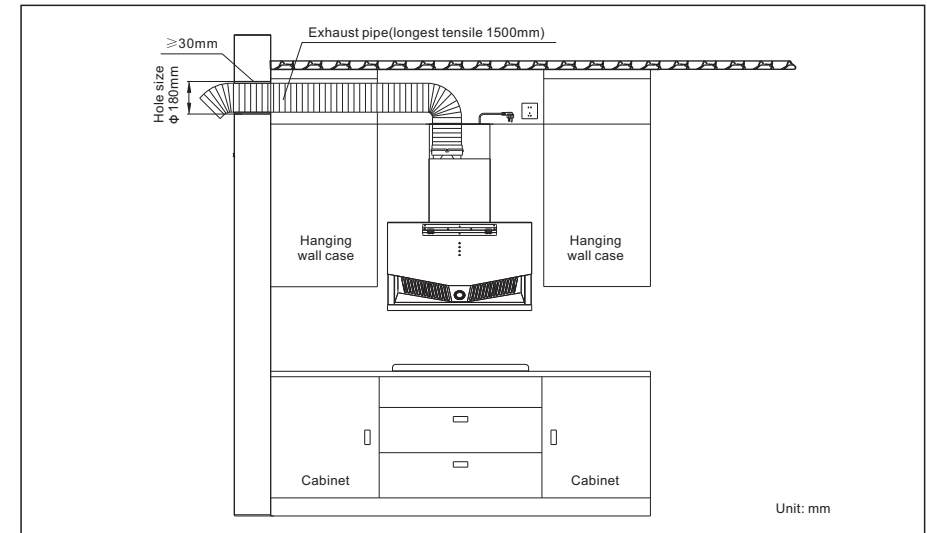
 Touch to select low speed.

 Touch to select high speed.

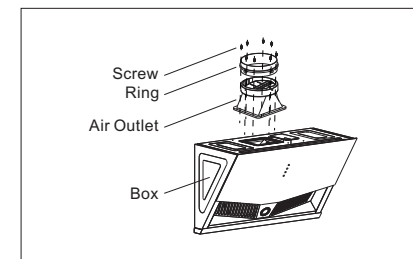
 Touch to turn on/off the light.

INSTALLATION PROCEDURES

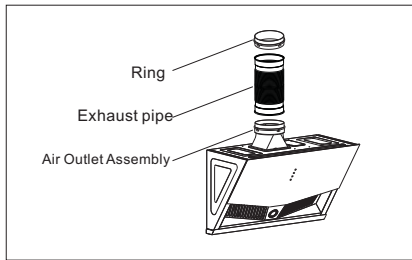
please carefully read the following diagram before installation, and install in accordance with the steps to ensure the smooth installation of the product.



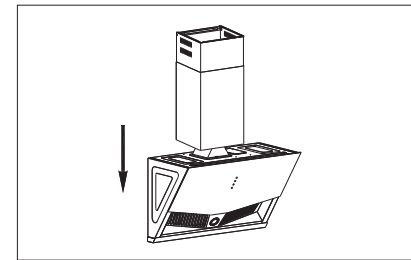
According to the dimension of installing bracket, on the walls in the corresponding position to accurately determine the position of an installing hole, use a $\phi 10$ impact drilling out the mounting holes, and firmly buried expanding tube, then use the M5x50 wood screws fastening the installing bracket to the wall.



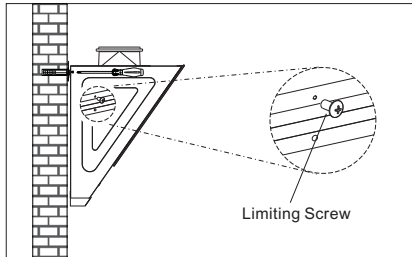
Remove the pan head screw with the air outlet cross slot at the top of the box, and then fix the hole position of the outlet component, and fasten the outlet component on the box with the removed screw respectively.



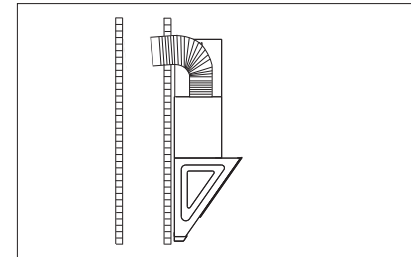
Embed the clasp on the outlet joint with a step at one end, then align the clasp on the outlet and press the clasp to the bottom.



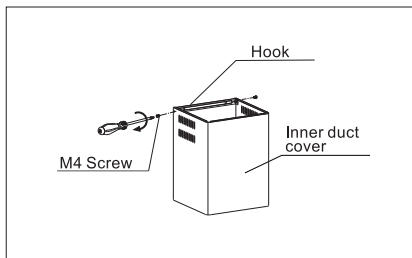
Fasten the perforated end of the Outer telescopic duct to the screw on the top plate and gently push the Outer telescopic duct back, then connect the Outer telescopic duct with the hood and fix it.



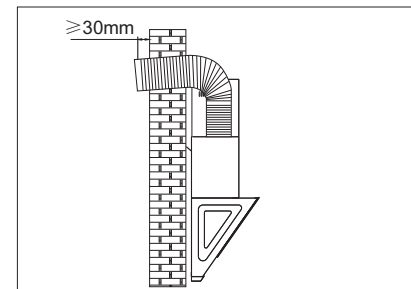
Pick the cooker hood up, the hanging hole at the back of the box assembly is aligned with the hanger on the installing bracket, and the limiting screw in the accessory bag is fixed on the hole of the installing bracket to prevent the accidental fall of the hood.



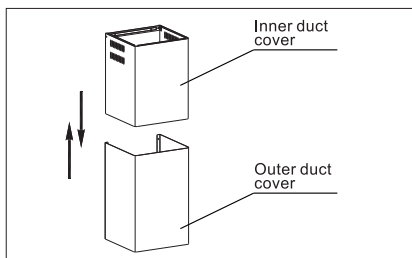
If you need connect the common flue, please do not put the exhaust pipe too deeply, so as to not affect the effect.



Matching the hook to the holes of the inner duct cover and fix it well with M4 screws.



If you connect the exhaust pipe to outdoor, please push it out of the wall at least 30mm, the air outlet should be slightly adown, to avoid rain water intrusion.



Insert the inner duct cover into the outer duct cover.

Installation confirmation: after installation, check the hood whether it is solid, turn the power on and test it, examine the function whether it is normal and whether there is abnormal vibration of the body, after confirmation, can be used.