



REDEFINE THE WAY OF LIFE



## USER MANUAL

MODEL	
SERIAL NO.	

## SLIM HOOD



*Dear valued customer,*

*Thanks for your purchase of our product.*

**PLEASE READ & KEEP THIS USER MANUAL**

## **CONTENT**

INTRODUCTION .....	2
SAFETY PRECAUTION .....	2-3
BEFORE INSTALLATION .....	4
INSTALLATION.....	5-7
OPERATION INSTRUCTION.....	8
CLEANING AND MAINTENANCE .....	9
TROUBLESHOOTING .....	10

## **INTRODUCTION**

This instruction manual provides you with the guideline related to the installation, use and maintenance of the appliance.

Please read this instruction manual & keep it for future reference.

## **SAFETY PRECAUTION**

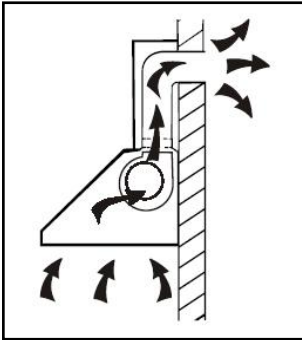
- 1.** Keep electrical appliances out of reach from children. Do not let them to operate the appliances without supervision.
- 2.** To protect against the risk of electrical shock, do not immerse the product, power cord or plug into water or any other liquid.
- 3.** This product is for indoor household use, not for commercial use.
- 4.** This product is not intended for use by person (including children) with reduced physical, sensory or mental capabilities unless they have been given supervision or instruction concerning use of the appliance by a person responsible for their safety.
- 5.** If the power cord or plug is damaged, it must be replaced by qualified service technician to avoid hazard. Strongly recommend users to contact service center for repair matters.
- 6.** Before installation, please check for supply voltage. It must meet the requirement voltage stated on the rating plate of the cooker hood.
- 7.** There must be adequate air ventilation of the room when the cooker hood is used with others cooking appliances such as gas or electric hob, etc.
- 8.** Please ensure that the installation of exhaust system must complies with the standard requirement of local building, gas and electrical authorities.
- 9.** Do not ignite flame directly to empty cookware.
- 10.** There is a risk of fire if cleaning is not carried out accordance with the user instruction.

## **Electrical Shock Hazard**

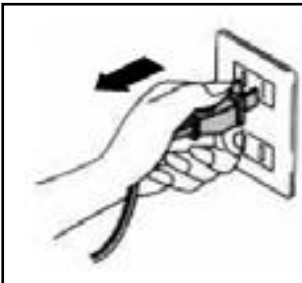
- Only plug this unit into a properly earthed outlet. Please seek advice from qualified engineer or authorities.
- Failure to follow these instructions might result in incident such as death, fire, or electrical shock.

## **PREPARATION BEFORE INSTALLATION**

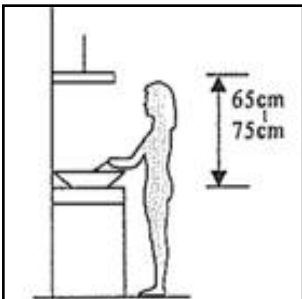
- Installation of cooker hood must be carried out by an authorized or qualified technician.
- Remove all packaging materials from the cooker hood. Check and make sure that the cooker hood is not damaged.
- Please ensure the power supply has switched OFF when installing the cooker hood.
- For optimum air extraction, avoid having too many windows surrounding the cooker hood as it will cause air convection.



- a. If you have an outlet for air exhaust out from your kitchen, you can install your cooker hood as below picture by means of an extraction duct (enamel, aluminum, flexible pipe or inflammable material with an interior diameter of 120mm)



- b. Before installation, switched off power supply, turn the unit off and unplug it from the socket.

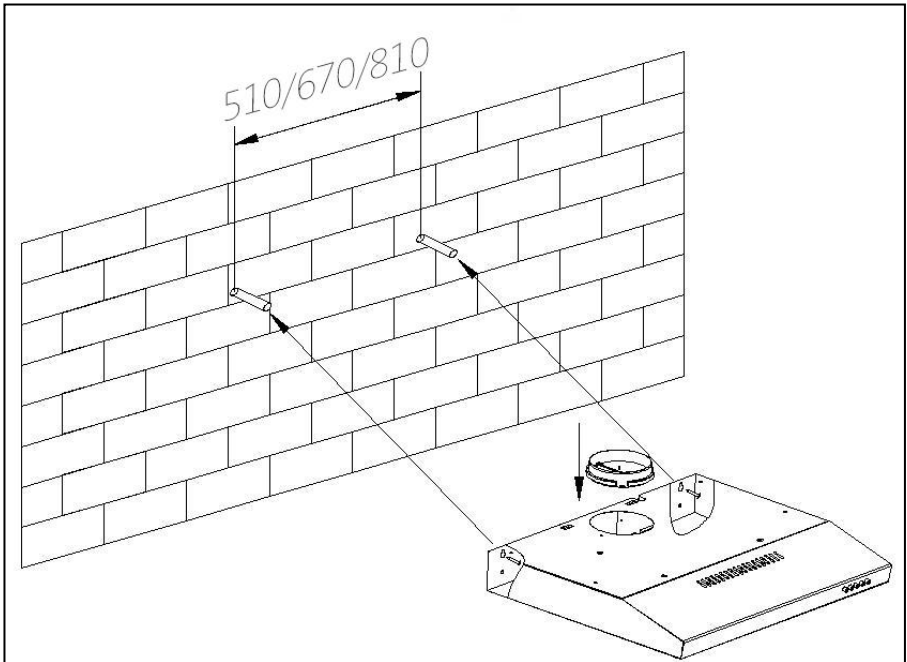


- c. The cooker hood should be placed at a distance of 65~75cm above the cooking plane for best effect.

# **INSTALLATION**

## **1<sup>st</sup> Method:**

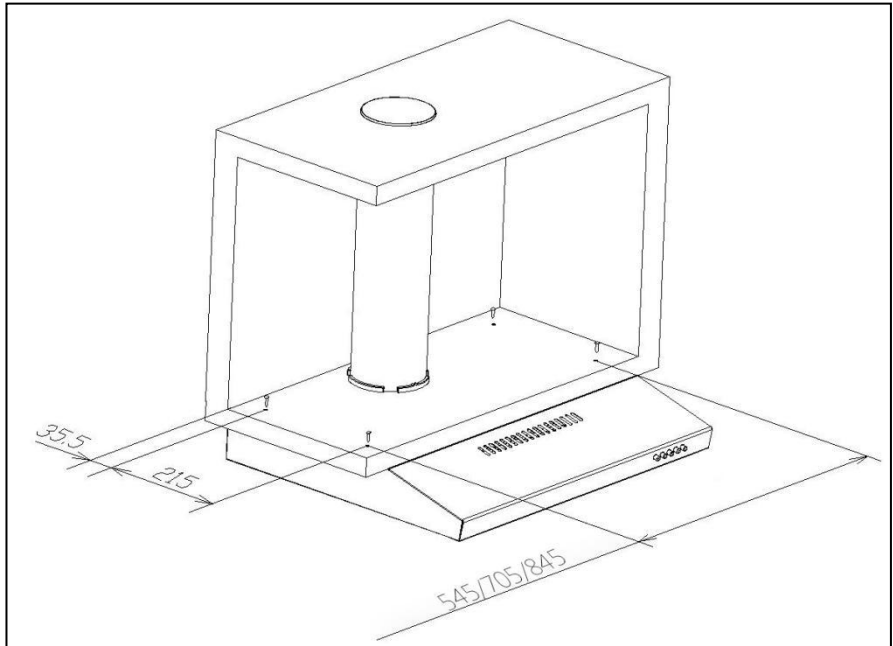
- To install to wall, drill 2 holes of Ø8mm on the suitable location according with the center distance of hole in the back of the cooker hood.
- Insert the nut into the holes.
- Insert the screws into the nuts and tight it. Then install cooker hood to the tighten screws.



- Fix the cooker hood with safety screw provided. The hole are positioned at the back casing, with diameter of 6mm.
- Install the ventilation cover to the cooker hood.

## **2<sup>nd</sup> Method:**

- Drill 4 holes of 6mm diameter at the bottom of the hanging cupboard
- Install the ventilation cover to the cooker hood, then install the cooker hood at the bottom of the hanging cupboard, tighten the hood with 4 screws.



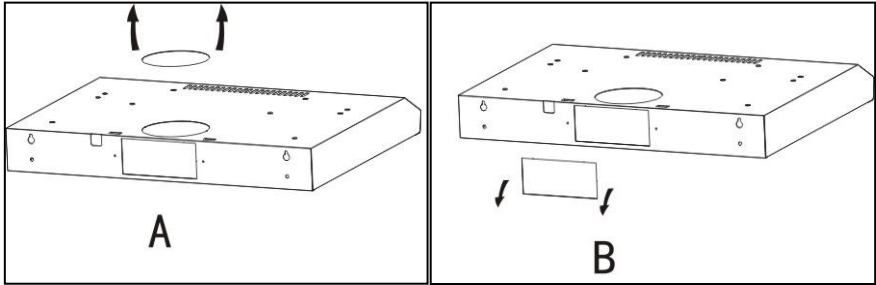
**Note:**

- 1.The ducting hose are optional accessories (for ducting system), it is not provided with the hood.
- 2.Take off the protection film before installation.
- 3.There are 2 methods for recirculation installation, which are ' horizontal ventilation' and ' vertical ventilation'.

For Vertical ventilation: See Pic A, do not install the round cover (outlet cover) so that the air can be exhaust from top

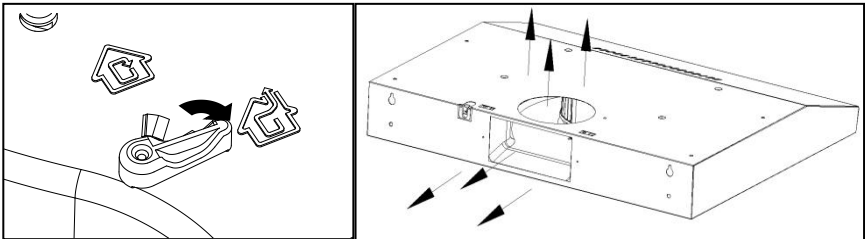
For horizontal ventilation: See Pic B, please use tool to remove the rectangular cover, then the air can be exhaust from back.

\*The rectangular air outlet for horizontal ventilation is not supply together with hood.

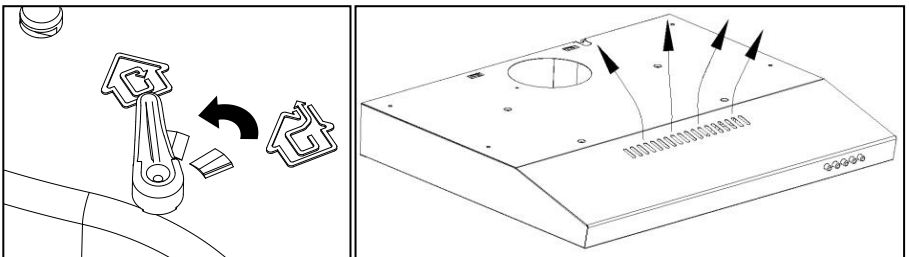


## Air ventilation setting

- Outdoor exhausting: Turn the adjuster to outdoor position, install with duct-out system, the air will be exhaust from the duct-out outlet.



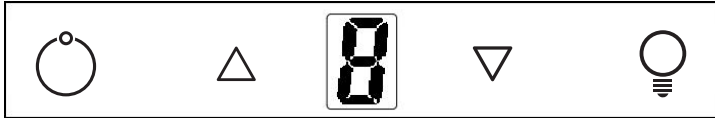
- Recirculation: Install the carbon/ charcoal filter, turn the adjuster to indoor position, install the outlet cover, the air will be exhaust from the recirculation outlet.



- Warning: the charcoal cannot be washed or recycled. It should be changed at most of 120 hours using. The carbon filter shouldn't be exposed to heat.

# OPERATION INSTRUCTION

## Touch control



### **On/Off button**

For turning on/off the cooker hood.



### **Speed "△" Icon**

For increasing the speed of the fan motor.



### **Speed "▽" Icon**

For decreasing the speed of the fan motor.



### **Light Icon**



### **Digital display**

Speed display: "1" for Low speed, "2" for Medium speed, "3" for High speed.

**Quick timer:** Press △ & ▽ hold for 1 second, Digital display will flash & go into 5 minutes count down, after 5 minutes the motor & light will turn off automatically & buzzer sound for 1 second.

# **CLEANING AND MAINTENANCE**

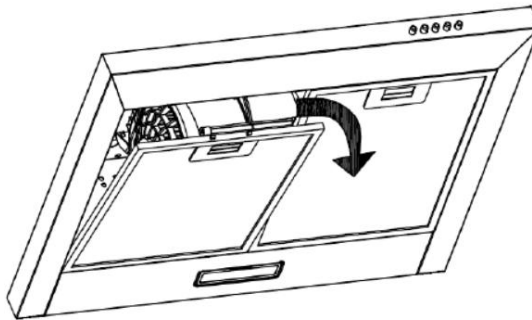
Before cleaning, please unplug/ switch off the electric supply.

## **I. Regular Cleaning**

Use a soft cloth with lukewarm, mildly soapy water to wipe the hood surface. Never use metal pads, chemicals, abrasive materials or stiff brushes to clean the range hood.

## **II. Monthly Cleaning - Grease Filter**

**ESSENTIAL:** Clean the filter every month can prevent risk of fire. The filter collects grease, smoke and dust.....so the filter is directly affecting the efficiency of the cooker hood. If it is not cleaned, the grease residue (potential flammable) will trap to the filter.



## **III. Annual Cleaning - Activated Carbon Filter**

Applicable only to units installed with recirculation mode (not duct-out type). This filter traps odors and must be replaced at least once a year, depending on how frequently the range hood is used.

## **IV. LED Light Replacement**

Ensure that the appliance is disconnected from the main power supply.

**Note: Replace the lamp with another lamp with higher could damage the electrical unit. Please contact service center to purchase the correct lamp for replacement if broken.**

1. Remove the filters and push out the lamp.
2. Disconnect the wire connector from the terminal
3. Replace damaged lamps and reconnect to terminal
4. Reverse the procedure for assembly.

# TROUBLESHOOTING

<b>Malfunctions</b>	<b>Possible Root Cause</b>	<b>Checking</b>
Weak Suction	The distance is too far between the cooker hood and cooking appliance	Lower down the cooker hood installation height but within the safety guideline
	Strong convection due to too much ventilation	Close some of the windows or doors
Cooker hood and light not function	The power supply is not connected	Check if the plug is well connected and the power is on
	Power cord is damaged	Contact technicians for repair
Motor functions but light not works	Light bulb is damaged	Contact technicians to replace a new light bulb
Light works but motor not function	The motor may be damaged	Contact technicians for repair
	The internal wires or motor capacitor maybe broken	
Vibration on the cooker hood	The screw is loosened	Tighten the screws
The cooker hood is noisy	Exhaust pipe surface is distorted	Contact technicians to reinstall the exhaust pipe

**NOTICE:**

This product must not be disposed together with domestic waste. It has to be disposed at an authorized place for recycling of electrical and electronic appliances. By collecting and recycling waste, you help to save natural resources and make sure the product is disposed in an environmentally friendly way.







# WARRANTY CARD

## WARRANTY CONDITIONS

Subject to following Term & Conditions, this equipment is guaranteed against defective material & manufacturing defects by Fiamma Trading Sdn Bhd for a period of twelve (12) months from the date of original purchase. Fiamma Trading Sdn Bhd reserves the right to change these terms & conditions without prior notice.

## Terms & Conditions:-

- 1) This warranty is valid & provided that warranty card is completed with authorized dealer's stamp from the date of original purchase and in the territory of Malaysia only.
- 2) This warranty covers repair or, at the option of Fiamma Trading Sdn Bhd, replacement of any parts proven to be defective due to defective workmanship or material provided that the product was purchased from an authorized dealer of Fiamma Trading Sdn Bhd.
- 3) This warranty does not cover the damage resulting from:
  - (a) Any unauthorized disassembly, service repair, alteration or modification being carried out.
  - (b) Abnormal voltage or the use of generator and/or used not in accordance with the Operating Manual / User Manual.
  - (c) Misuse, abuse, negligence or accident howsoever caused.
  - (d) Normal wear or tear.
  - (e) Rough handling & transportation.
  - (f) Commercial / public use e.g. hotel, laundry, college, university, etc.
- 4) This warranty does not cover the following accessories:
  - (a) Burner Caps/Supports (b) Cast Iron Grib (c) Knobs (d) Body Work (e) Light Bulb (f) Charcoal / Filter (g) Cover (h) Glass Cover / Screen (i) Trays/Shelves (j) Hose
- 5) This warranty is considered null & void in the events if:
  - (a) Any item contained in this warranty card has been tempered with or altered in any way without the prior written consent of Fiamma Trading Sdn Bhd. Request for warranty services within the warranty period must be accompanied with this warranty card & proof of original purchase.
  - (b) Any time during the warranty period, any part / parts of this equipment is / are removed, altered, tempered with, adjusted, modified, dismantled, repaired or handled in any way whatsoever by any person / persons not authorized by us.
  - (c) The serial number of the product has been defaced or removed.
- 6) Warranty for WINE CHILLER compressor is (5) five years, gas refill and labor charges are excluded.
- 7) In the event of defects covered by this warranty arising during the warranty period, the purchaser shall be fully responsible for the due delivery to our dedicated service centre of the equipment (expect for the refrigerator, washing machine, ovens, cooker hood, gas cooker, dishwasher, dryer, built-in hob, freezer, water heater) for any work which shall need to be done pursuant to this warranty & subsequent collection thereof of the equipment after the said work has been done.
- 8) This warranty is in lieu of any, and all other warranties expressed or implied warranty of merchantability or fitness for a particular purpose. Fiamma Trading Sdn Bhd assumes no liability for the breach of the warranty beyond correcting the breath in the manner described above. In no event shall Fiamma Trading Sdn Bhd be liable for consequential losses or damages, including loss of use or loss of profits resulting from the product.

## FOR OFFICE USE

Model Name

Serial No  
Barcode :

Customer's Name (In Block/Full Name)

Date of Purchase :  DAY  MTH  YR

Customer's Address (Full Address) :

PostCode :  State :

Customer's Tel No : (H)  -  (O)  -

Customer's Email :  (H/P)  -

Authorized dealer's stamp  
Fiamma Trading Sdn. Bhd.

Customer Signature

# Customer **Care**

AFTER-SALES SERVICE:

Exact Quality Sdn. Bhd.

Contact: **03-6286 9000**

Website: <http://www.e-quality.com.my/>

OPERATION HOURS

**08:30am - 06:00pm**

(Monday - Friday, except public holiday)

## Our **Warranty**

**5**<sub>yrs</sub>  
Warranty

FOR HOOD MOTOR ONLY

**18**<sub>mths</sub>  
Warranty

FOR ALL PARTS

(EXCLUDING ACCESSORIES)

**1**<sub>yr</sub>  
Warranty  
Extension

**1-year  
Warranty  
Extensions  
When Register  
Online!**

### **Online Registration**

1. Log on to [www.rubine.com.my](http://www.rubine.com.my)
2. Click on 'Support', followed by 'Products Warranty Registration' to proceed. You're required to sign up as a member.
3. Please fill up the necessary information, tick on the checkbox and click 'Next'.
4. You'll receive a notification of warranty registration confirmation via email.
5. Your warranty will be automatically extended for another 6 months upon registration online. Please keep your online warranty certificate for reference.

**[rubine.com.my](http://rubine.com.my)**



**FIAMMA TRADING SDN BHD** 330476-P (A member of Fiamma Holdings Berhad)

9-2, Wisma Fiamma, No.20, Jalan 7A/62A, Bandar Manjalara, 52200 Kuala Lumpur. Tel: 03-6279 8943