

NEW

RubineTM
ITALIA

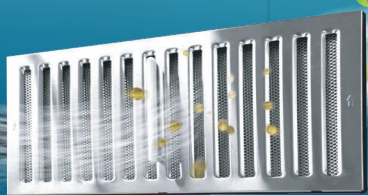
Cool-Breeze^{SERIES}

CASSERA X



REFRESHING AIR
FOR A GREASE-FREE
KITCHEN

HEXA
Technology



>95%* Oil Filtration Rate

Effortless Filter
Maintenance

Easy to remove, clean,
& reinstall.



Long-life Motor Protection

Only purified air reaches the motor
— no oily buildup, less maintenance.



Optimized
Airflow System

Stable, efficient suction for
consistently cleaner kitchen air.



Dishwasher-Friendly

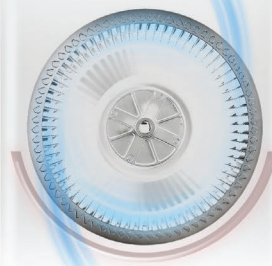
Hassle-free cleaning for
everyday convenience.



*Based on factory lab test report on RCH-CASSERA X-SK oil filtration rate.

NEW

CASSERA X



BLDC Motor
Quiet & Powerful Operation



Cool-Breeze Technology

- › Cool-Breeze blowing from the upper chamber provides you with a soothing and comfortable cooking environment.



SETAKERA Glass Surface

- › Easy Maintenance
- › Fingerprint Resistance
- › Wipe off stubborn oil & grease with ease



Premium Control Panel

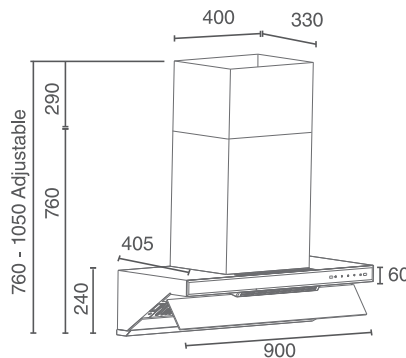
- › High-tech features with smart motion sensor.

RCH-CASSERA X-SK

- › Compact Slanted Hood
- › 2,500 m³/hr Suction Power
- › 1,200 Pa Static Pressure
- › Sensor Touch Control Panel
- › 2 + 1 (X-Boost) Extraction Speed
- › HEXA Technology with >95% Oil Filtration Rate
- › Oil Cup / Trap (outer)
- › Charcoal Filter
- › 2 (LED) Lamp
- › Delay Timer

WM : RM 3,200
EM : RM 3,390

- › Product Dimension (mm)
900 W x 405 D x 760 - 1050 H



- › Features



BLDC Motor



Cool-Breeze



Auto Clean Reminder (60 Hours)



HEXA Filtration



Smart Motion Sensor



Ion-Balancer



Recirculating



I-Link



H²Meltz (Heating Pad)



Beveled Glass Panel



DC-18 Ducting



6 YEARS OF WARRANTY
APPLICABLE ON HOOD MOTOR ONLY.



18 MONTHS OF STANDARD WARRANTY
APPLY FOR ALL PRODUCTS EXCLUDING ACCESSORIES.



1 YEAR OF WARRANTY EXTENSION
REGISTER ONLINE NOW AND GET 1 YEAR WARRANTY EXTENSION !



rubinemalaysia



www.rubine.com.my



* Term and conditions applied for warranty.